



SYROS 2.0

**OWNER'S MANUAL
BENUTZERHANDBUCH
GEBRUIKERSHANDLEIDING
MANUEL DU PROPRIÉTAIRE**



Read the ELLIPTICAL GUIDE before using this OWNER'S MANUAL.

Lesen Sie das ELLIPTICAL TRAINER-HANDBUCH, bevor Sie dieses BENUTZERHANDBUCH verwenden.

Lees de ELLIPTICALGIDS voor u deze GEBRUIKERSHANDLEIDING gebruikt.

Lisez le guide de L'ELLIPTIQUE avant d'utiliser ce MANUEL DU PROPRIÉTAIRE.

3	ENGLISH
37	DEUTSCH
71	NEDERLANDS
105	FRANÇAIS

IMPORTANT PRECAUTIONS



SAVE THESE INSTRUCTIONS

Read this ELLIPTICAL GUIDE before using the OWNER'S MANUAL. When using an electrical product, basic precautions should always be followed, including the following: Read all instructions before using this elliptical. It is the responsibility of the owner to ensure that all users of this elliptical are adequately informed of all warnings and precautions.



WARNING

TO REDUCE THE RISK OF BURNS, FIRE, ELECTRICAL SHOCK OR INJURY TO PERSONS:

- If you experience any kind of pain, including but not limited to chest pains, nausea, dizziness, or shortness of breath, stop exercising immediately and consult your physician before continuing.
- When exercising, always maintain a comfortable pace. Do not sprint above 80 RPMs on this machine. Incorrect or excessive exercise may damage your health.
- To maintain balance, it is recommended to keep a grip on the handlebars while exercising, mounting or dismounting the machine.
- Do not turn pedal arms by hand.
- Make sure handlebars are secure before each use.
- Keep the topside of the foot support clean and dry.
- Care should be taken when mounting or dismounting the equipment. Before mounting or dismounting, move the pedal on the mounting or dismounting side to its lowest position and bring the machine to a complete stop.
- Do not wear clothes that might catch on any part of the elliptical.
- Always wear athletic shoes while using this equipment.
- Do not jump on the elliptical.
- At no time should more than one person be on the elliptical while in operation.
- This elliptical is intended for in-home use only. Do not use this elliptical in any commercial, rental, school or institutional setting. Failure to comply will void the warranty.
- Do not use elliptical in any location that is not temperature controlled, such as but not limited to garages, porches, pool rooms, bathrooms, car ports or outdoors. Failure to comply will void the warranty.
- This elliptical complies with the EN957-1/9 standard, class of elliptical: HB; braking system is adjustable.
- To prevent electrical shock, never drop or insert any object into any opening.
- Keep power cord away from heated surfaces. Do not carry this unit by its supply cord or use the cord as a handle.
- Disconnect all power before servicing or moving the equipment. To clean, wipe surfaces down with soap and slightly damp cloth only; never use solvents. (See MAINTENANCE)
- Do not use other attachments that are not recommended by the manufacturer. Attachments may cause injury.
- Do not operate where aerosol (spray) products are being used or when oxygen is being administered.
- Use the elliptical only as described in the elliptical guide and owner's manual.
- The equipment shall be installed on a stable base.



At NO time should children under the age of 13 be closer to the elliptical than 10 feet.
At NO time should children under the age of 13 use the elliptical.
Children over the age of 13 or disabled persons should not use the elliptical without adult supervision.



It is essential that your elliptical is used only indoors, in a climate controlled room. If your elliptical has been exposed to colder temperatures or high moisture climates, it is strongly recommended that the elliptical is warmed up to room temperature before first time use. Failure to do so may cause premature electronic failure.

GROUNDING INSTRUCTIONS

If an elliptical should malfunction or breakdown, grounding provides a path of least resistance for electrical current to reduce the risk of electrical shock. This product is equipped with a cord having an equipment-grounding conductor and a grounding plug. The plug must be plugged into an appropriate outlet that is properly installed and grounded in accordance with local codes and ordinances.

Improper connection of the equipment-grounding conductor can result in a risk of electric shock. Check with a qualified electrician or serviceman if you are in doubt as to whether the product is properly grounded. Do not modify the plug provided with the product. If it will not fit the outlet, have a proper outlet installed by a qualified electrician.

WARNING

Connect this exercise product to a properly grounded outlet only.

Never operate product with a damaged cord or plug even if it is working properly. Never operate any product if it appears damaged, or has been immersed in water. Contact your Local Dealer for replacement or repair.

BASIC OPERATION



CONGRATULATIONS ON CHOOSING YOUR ELLIPTICAL!

You've taken an important step in developing and sustaining an exercise program! Your elliptical is a tremendously effective tool for achieving your personal fitness goals. Regular use of your elliptical can improve the quality of your life in so many ways.

Here are just a few of the health benefits of exercise:

- Weight loss
- A healthier heart
- Improved muscle tone
- Increased daily energy levels

The key to reaping these benefits is to develop an exercise habit. Your new elliptical will help you eliminate obstacles that prevent you from exercising. Inclement weather and darkness won't interfere with your workout when you use your elliptical in the comfort of your home. This guide provides you with basic information for using and enjoying your new machine.



LOCATION OF THE ELLIPTICAL

Place the elliptical on a level surface. We advise there should be clearance around your elliptical trainer (see guide). Do not place the elliptical in any area that will block any vent or air openings.

POWER

Your elliptical is powered by a power supply. The power must be plugged into the power jack, which is located in the front of the machine near the stabilizer tube. Some ellipticals have a power switch, located next to the power jack. Make sure it is in the ON position.

NOTE: Some ellipticals have an ON/OFF switch located behind the console.

WARNING

Never operate product if it has a damaged cord or plug, if it is not working properly, if it has been damaged, or immersed in water. Please contact our service centre for technical support, repair or new parts.

FOOT POSITIONING

Your elliptical offers a variety of foot positions. Moving your foot to the forward most position of the foot pad increases your step height, which will create a feel similar to a step machine. Placing your foot toward the back of the foot pad decreases your step height and creates more of a gliding feel, similar to a smooth walk or run. Always make sure your entire foot is secured on the foot pad.

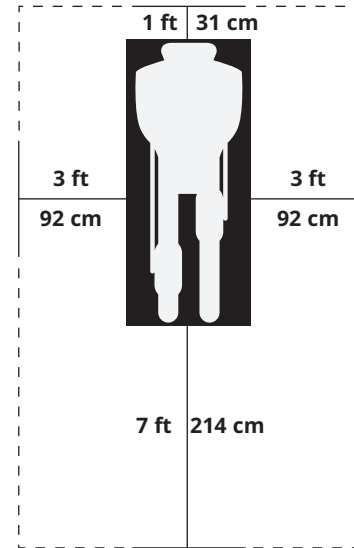
Your elliptical also allows you to pedal both forward and backwards to offer a variation to your workout and to focus on other major leg muscle groups such as your hamstrings and calves.

WORKOUT OPTIONS



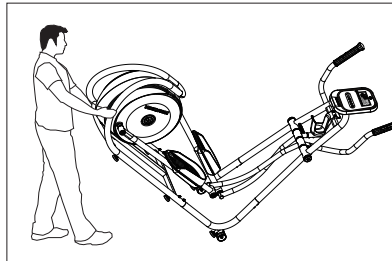
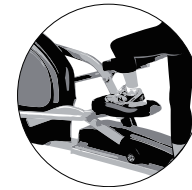
FULL BODY WORKOUT

For a full body workout, push and pull continuously on the dual action arms while pedaling.



MOUNTING THE ELLIPTICAL

1. Stand on the side of the elliptical next to the lowest foot pedal.
2. While holding both of the stationary handlebars, place your foot on the lowest foot pedal and pull yourself up onto the elliptical.
3. Wait until the elliptical finds its resting place and then place your other foot on the opposite pedal.



MOVING THE ELLIPTICAL

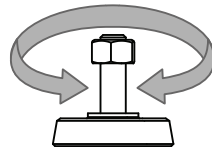
Your elliptical has a pair of transport wheels built into the front stabilizer tube. To move, first remove the power supply and firmly grasp the steel portion of the rear stabilizer bar, carefully tilt and roll. NOTE: be sure to grab the steel bar and not the plastic cover.

WARNING

Our ellipticals are heavy, use care and additional help if necessary when moving. Failure to follow these instructions could result in injury.

LEVELING THE ELLIPTICAL

Your elliptical should be leveled for optimum use. Once you have placed your elliptical where you intend to use it, raise or lower one or both of the adjustable levelers located on the bottom of the elliptical frame*. A carpenter's level is recommended. Once you have leveled your elliptical, lock the levelers in place by tightening the nuts against the frame. *NOTE: Some ellipticals do not have levelers.



**ADJUST
HEIGHT**



USING THE HEART RATE FUNCTION

Your elliptical could be equipped with either heart rate pulse grips or a thumb pulse sensor. To find out what your model has, refer to the beginning of the ASSEMBLY section of your OWNER'S MANUAL.

The heart rate function on this product is not a medical device. While heart rate grips or a thumb pulse sensor can provide a relative estimation of your actual heart rate, they should not be relied on when accurate readings are necessary. Some people, including those in a cardiac rehab program, may benefit from using an alternate heart rate monitoring system like a chest or wrist strap. Various factors, including movement of the user, may affect the accuracy of your heart rate reading. The heart rate reading is intended only as an exercise aid in determining heart rate trends in general. Please consult your physician.

PULSE GRIPS

Place the palm of your hands directly on the grip pulse handlebars. Both hands must grip the bars for your heart rate to register. It takes 5 consecutive heart beats (15-20 seconds) for your heart rate to register. When gripping the pulse handlebars, do not grip tightly. Holding the grips tightly may elevate your blood pressure. Keep a loose, cupping hold. You may experience an erratic readout if consistently holding the grip pulse handlebars. Make sure to clean the pulse sensors to ensure proper contact can be maintained.

CAUTION

Do not press excessively hard on the sensor as this may cause damage.

ASSEMBLY



WARNING

There are several areas during the assembly process that special attention must be paid. It is very important to follow the assembly instructions correctly and to make sure all parts are firmly tightened. If the assembly instructions are not followed correctly, the elliptical could have frame parts that are not tightened and will seem loose and may cause irritating noises. To prevent damage to the elliptical, the assembly instructions must be reviewed and corrective actions should be taken.

Before proceeding, find your elliptical's serial number located on the front stabilizer tube and enter it in the space provided below. Also locate the model name which is next to the serial number.

ENTER YOUR SERIAL NUMBER AND MODEL NAME IN THE BOXES BELOW:

SERIAL NUMBER:

--	--	--	--	--	--	--	--	--	--	--	--	--	--	--	--	--	--	--	--

MODEL NAME:

--	--	--	--	--	--	--	--	--	--	--	--	--	--	--	--	--	--	--	--



UPPER HANDLEBAR

PULSE GRIPS

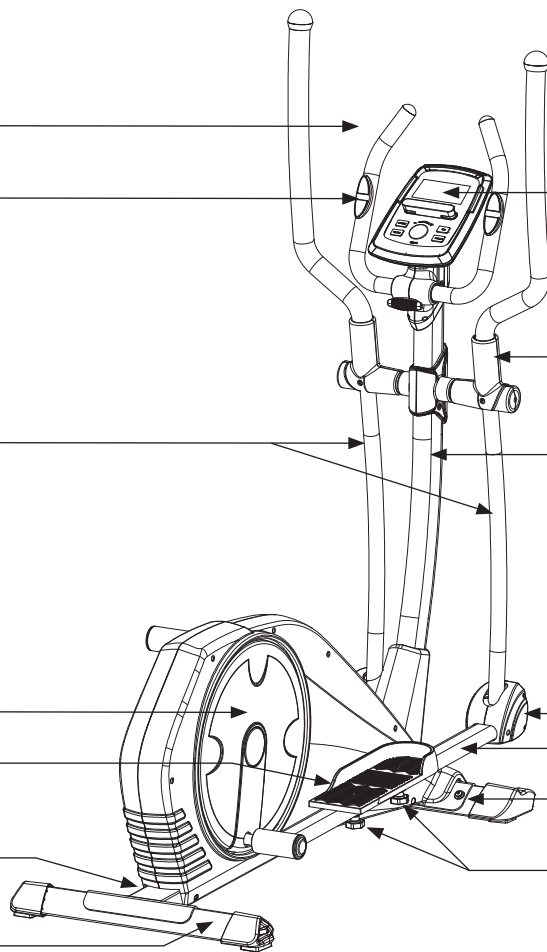
LOWER HANDLEBAR

CRANK COVER

FOOTPAD

POWER CORD SOCKET

REAR STABILIZER TUBE



CONSOLE

UPPER HANDLEBAR COVER

CONSOLE MAST

CONSOLE MAST GROMMET

PEDAL ARM

FRONT STABILIZER TUBE

PEDAL ADJUSTMENT KNOB

TOOLS INCLUDED:

- 5mm L Wrench
- Flat Wrench

PARTS PACKING INCLUDED:

- 1 Main Frame
- 1 Front Stabilizer Tube
- 1 Rear Stabilizer Tube
- 1 Console
- 1 Console Mast
- 1 Console Mast Grommet
- 2 Upper Handlebars
- 2 Lower Handlebars
- 2 Upper Handlebar Covers
- 2 Pedals
- 2 Pedal Arms
- 1 Power Cord
- 1 Hardware Kit

PRE ASSEMBLY

UNPACKING

Unpack the product where you will be using it. Place the elliptical carton on a level flat surface. It is recommended that you place a protective covering on your floor. Never open box when it is on its side.



WARNING

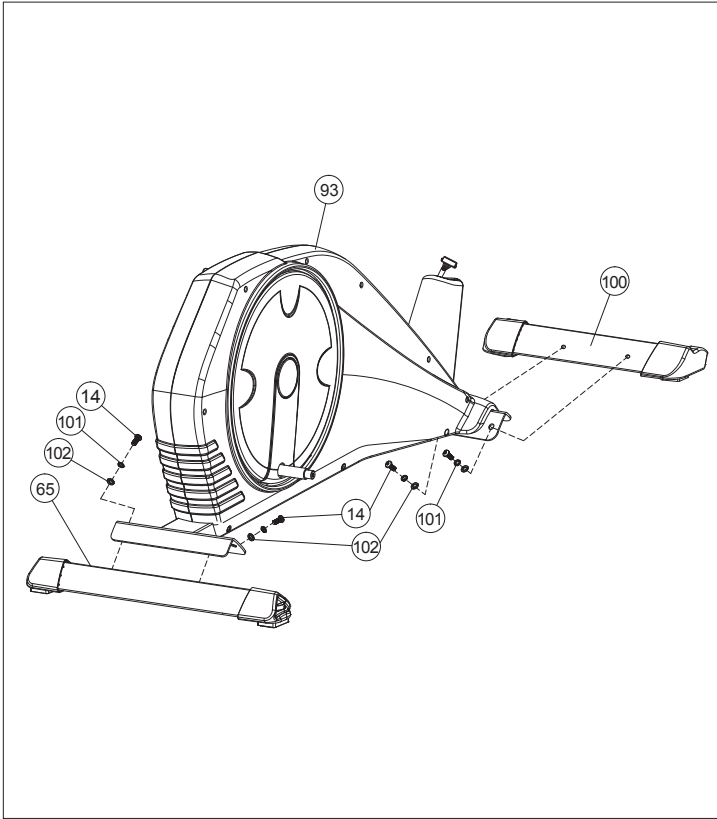
- It is recommended that two people work together for ease and efficiency while assembling an elliptical.
- During each assembly step, ensure that ALL nuts and bolts are in place and partially threaded. It is recommended you complete the full assembly of your unit before completely tightening any ONE bolt.
- Several parts have been pre-lubricated to aid in assembly and usage. Please do not wipe this off. If you have difficulty, a light application of lithium bike grease is recommended.

NEED HELP?

If you have questions or if there are any missing parts, contact Customer Tech Support.



ASSEMBLY STEP 1

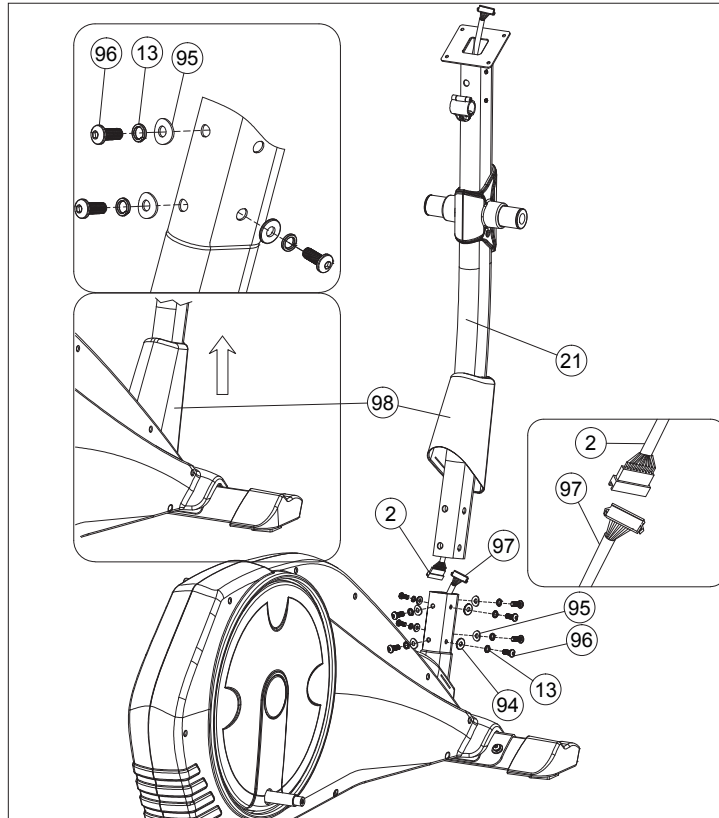


HARDWARE PARTS:

	BOLT (14) M8 X 20 QTY: 4		SPRING WASHER (101) Φ8 QTY: 4
	FLAT WASHER (102) Φ8 X Φ20 X 2.5T QTY: 4		

- A Attach the **REAR STABILIZER TUBE (65)** to **MAIN FRAME (93)** using 2 **BOLTS (14)** & **WASHERS (101 & 102)**.
- B Attach the **FRONT STABILIZER TUBE (100)** to **MAIN FRAME (93)** using 2 **BOLTS (14)** & **WASHERS (101 & 102)**.

ASSEMBLY STEP 2



NOTE: There is no hardware for this step.

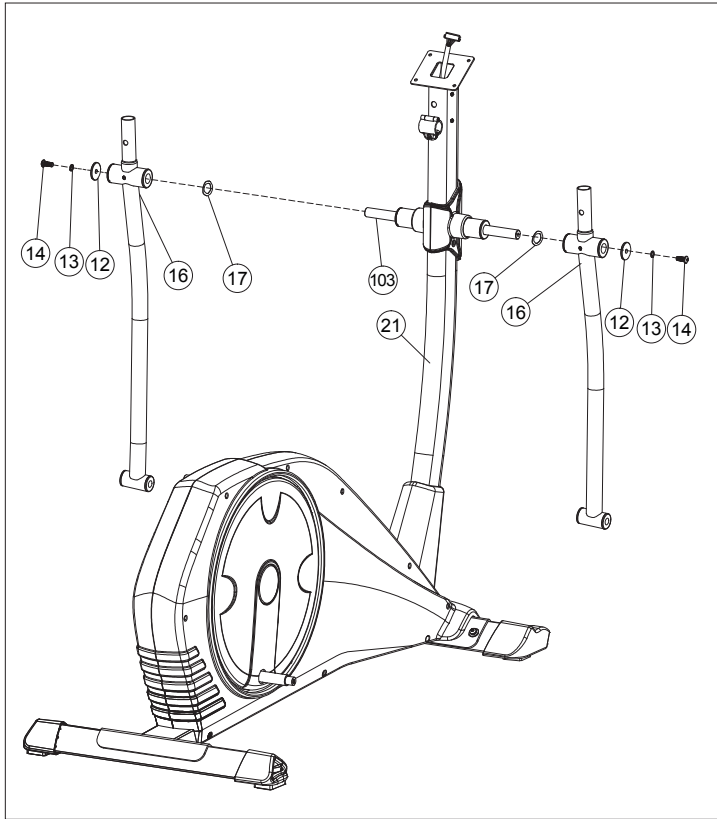
- A Slide **CONSOLE MAST GROMMET** (98) from bottom up the **CONSOLE MAST** (21).
- B Attach **CONSOLE CABLES** (2 & 97) and tuck cables into **MAIN FRAME** (93) carefully.
- C Slide **CONSOLE MAST** (21) into **MAIN FRAME** (93) using 4 **PRE-INSTALLED BOLTS** (96), 4 **PRE-INSTALLED ARC WASHER** (13), 4 **PRE-INSTALLED FLAT WASHERS** (94) from left & right sides and 4 **PRE-INSTALLED BOLTS** (96), 4 **PRE-INSTALLED ARC WASHER** (13), 4 **PRE-INSTALLED ARC WASHERS** (95) from front & rear sides.

NOTE: Be careful not to pinch any wires while attaching the console mast.





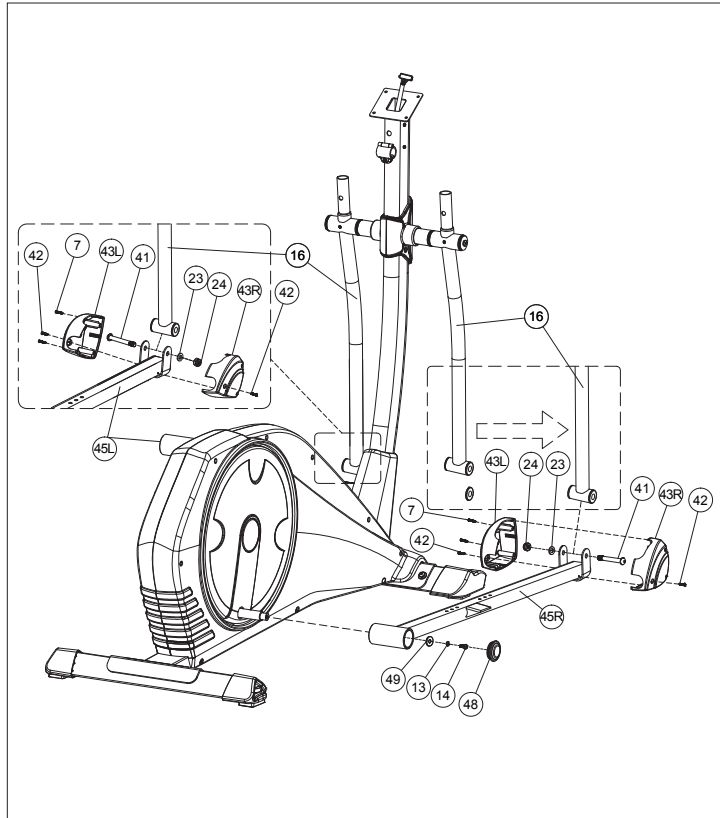
ASSEMBLY STEP 3










NOTE: There is no hardware for this step.

- A Slide **AXLE** (103) through **CONSOLE MAST** (21) carefully.
- B Attach the **LOWER HANDLEBAR** (16) to **CONSOLE MAST** (21) using 1 **PRE-INSTALLED BOLT** (14), 1 **PREINSTALLED FLAT WASHER** (12), 1 **PRE-INSTALLED ARC WASHER** (13) & 1 **PRE-INSTALLED WAVED WASHER** (17) .
- C Repeat steps B on the opposite side.

ASSEMBLY STEP 4



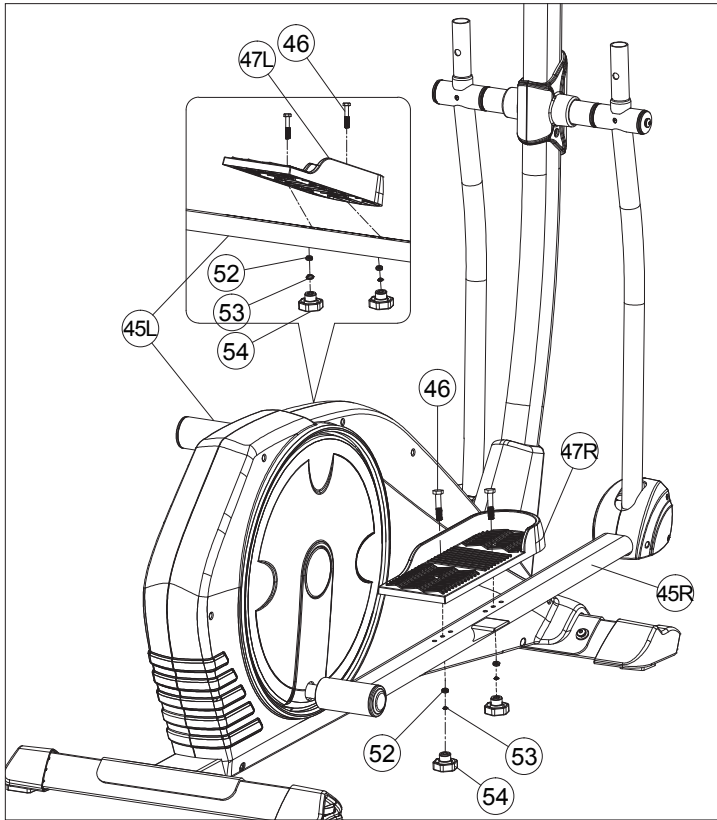
HARDWARE PARTS:

- | | | | |
|--|---|---|--|
|  | BOLT (14)
M8 X 20
QTY: 2 |  | BOLT (41)
M10 X 78
QTY: 2 |
|  | FLAT WASHER (23)
Φ10 X Φ19 X 2T
QTY: 2 |  | NUT (24)
M10
QTY: 2 |
|  | FLAT WASHER (49)
Φ8 X Φ21 X 2T
QTY: 2 |  | END CAP (48)
QTY: 2 |
|  | ARC WASHER (13)
Φ8
QTY: 2 | | |





- A Slide **PEDAL ARM (45R)** to **CRANK** using 1 **FLAT WASHER (49)**, 1 **ARC WASHER (13)**, 1 **BOLT (14)** & 1 **END CAP (48)**.
- B Align opposite end of **PEDAL ARM (45R)** on the bottom of **LOWER HANDLEBAR (16)**, secure the joint with 1 **BOLT (41)**, 1 **FLAT WASHER (23)** and 1 **NUT (24)**.
- C Attach the **PEDAL ARM COVER (43R & 43L)** from both side of **PEDAL ARM (45R)** using 2 **PRE-INSTALLED BOLTS (42)** and 2 **PRE-INSTALLED SCREWS (7)**.
- D Repeat steps A-C on the opposite side.



ASSEMBLY STEP 5

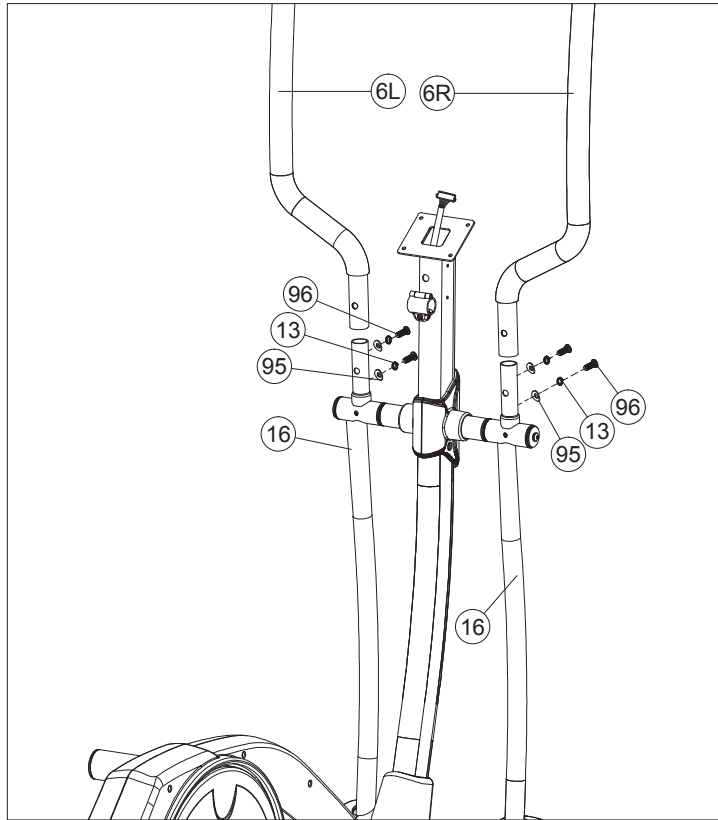


HARDWARE PARTS:




	BOLT (46) M8 X 50 QTY: 4		PEDAL KNOB (54) M8 QTY: 4
	SPRING WASHER (53) Φ8 QTY: 4		FLAT WASHER (52) Φ8.5 X Φ16 X 2T QTY: 4

- A Attach the **PEDAL** (47R) to **PEDAL ARM** (45R) using 2 **BOLTS** (46), 2 **FLAT WASHERS** (52), 2 **SPRING WASHERS** (53) and 2 **PEDAL KNOBS** (54).
- B Repeat on the opposite side.

ASSEMBLY STEP 6



HARDWARE PARTS:

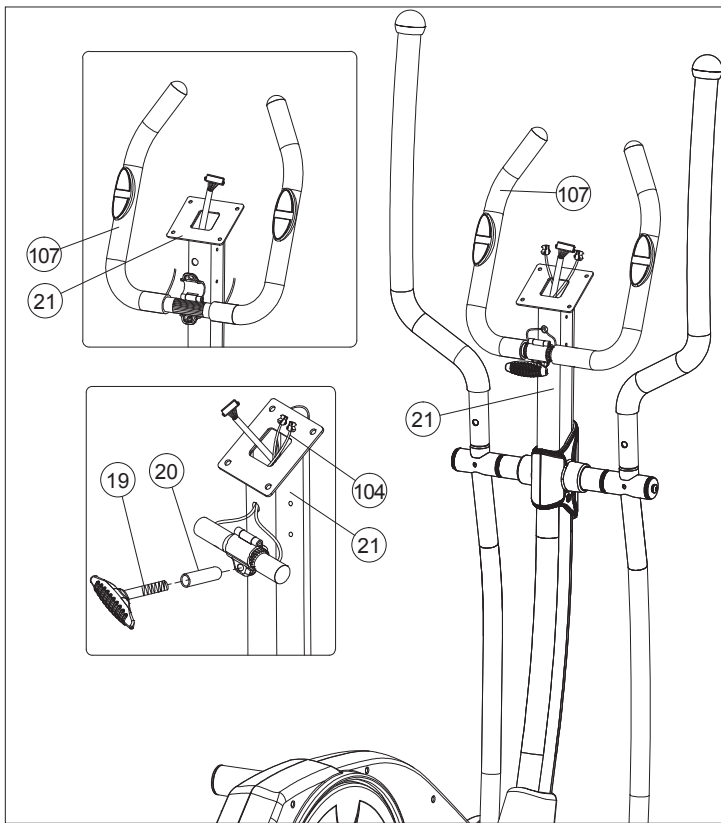
	BOLT (96) M8 X 20 QTY: 4		ARC WASHER (95) Φ8 X Φ19 X 1.5T QTY: 4
	SPRING WASHER (13) Φ8 QTY: 4		

- A Slide **UPPER HANDLEBAR (6R)** onto **LOWER HANDLEBAR (16)** and secure using 2 **BOLT (96)**, 2 **ARC WASHER (95)** and 2 **SPRING WASHER (13)**.
- B Repeat A on the other side.





ASSEMBLY STEP 7

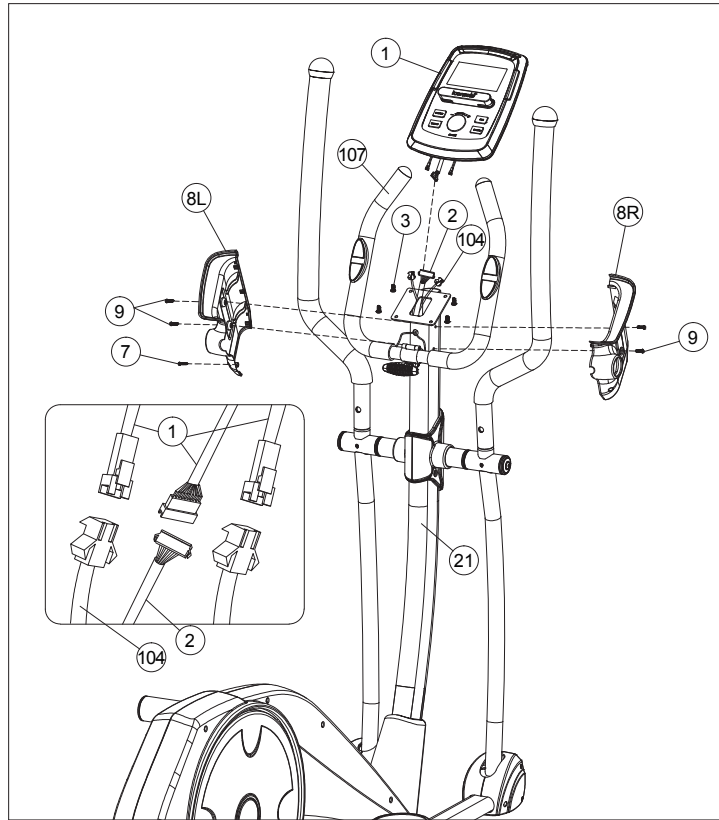


HARDWARE PARTS:

	BUSHING (20) Φ8 X Φ13 X 35 QTY: 1		T KNOB (19) M8 X 64 X 32 QTY: 1
--	---	--	---------------------------------------

- A Feed the **HANDLEBAR WIRES** (104) through the hole in the **CONSOLE MAST** (21) and out the top of the **CONSOLE MAST** (21).
- B Attach the **HANDLEBAR** (107) to **CONSOLE MAST** (21) using 1 **BUSHING** (20) and 1 **T KNOB** (19).

ASSEMBLY STEP 8



HARDWARE PARTS:



BOLT (7)
M4 X 15
QTY: 1

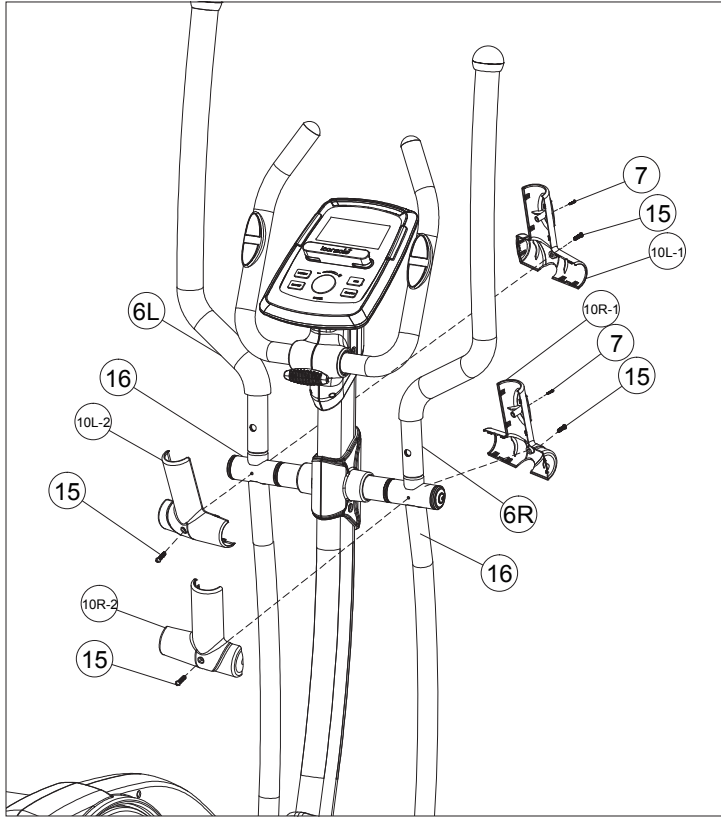
- A Connect the **CONSOLE CABLES** (1 & 2 & 104) and carefully tuck the **CONSOLE CABLES** (1 & 2 & 104) into the **CONSOLE MAST** (21).
- B Attach the **CONSOLE** (1) to the **CONSOLE MAST** (21) using 4 **PRE-INSTALLED BOLTS** (3).
- C Attach the **LEFT & RIGHT CONSOLE MAST COVERS** (8R & 8L) to the **CONSOLE MAST** (21) using 4 **PRE-INSTALLED BOLTS** (9) and 1 **BOLT** (7).

NOTE: Be careful not to pinch any wires while attaching the console.





ASSEMBLY STEP 9

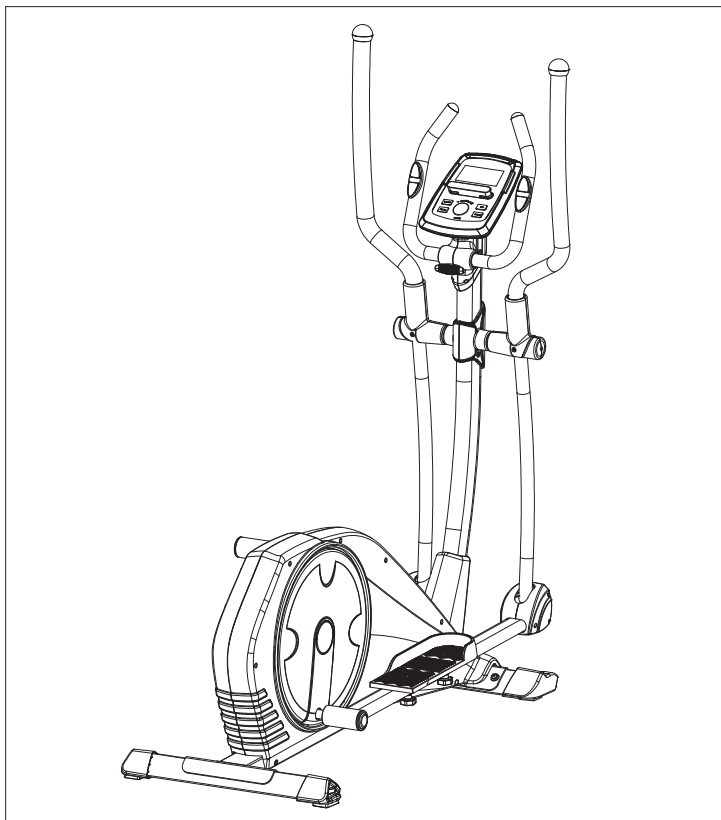


HARDWARE PARTS:

	BOLT (7) M4 X 15 QTY: 2		BOLT (15) M5 X 12 QTY: 4
---	-------------------------------	---	--------------------------------

- A Attach the **HANDLEBAR COVERS** (10R-1 & 10R-2) from front side using 1 **PRE-INSTALLED BOLT** (15) and 1 **BOLT** (7) and rear side using 1 **PREINSTALLED BOLT** (15).
- B Repeat A on the other side.
- C Plug in **POWER ADAPTER**.

ASSEMBLY STEP 10



ASSEMBLY COMPLETE!



SYROS 2.0

Max. User Weight: 150 kg / 330 lbs.

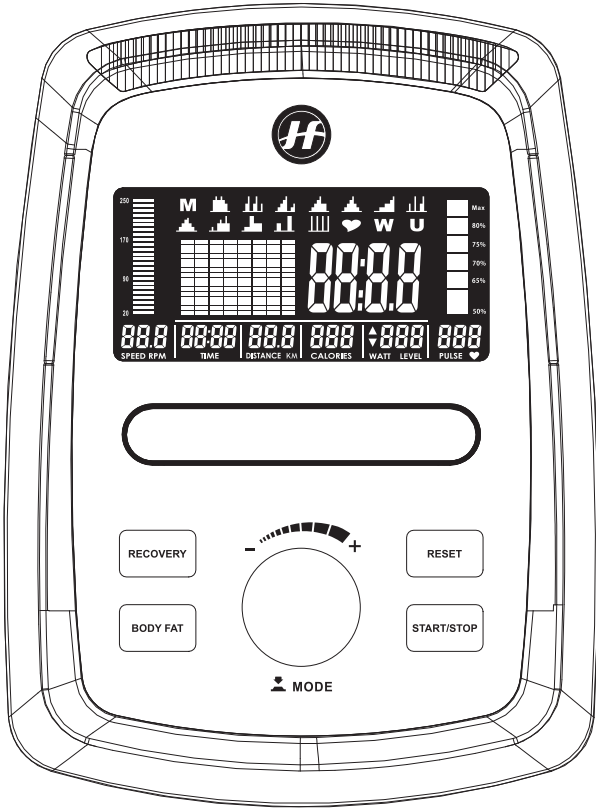
Overall Dimensions: 153 x 63 x 163 cm / 60.2" x 24.8" x 64.2"

ELLIPTICAL OPERATION



This section explains how to use your elliptical's console and programming.
For the BASIC OPERATION please see the ELLIPTICAL GUIDE.

SYROS 2.0 CONSOLE DISPLAY



SYROS 2.0 CONSOLE OPERATION

A) INTELLIGENT WHEEL

Turn to select programs, set up resistance level and workout numbers. Press to confirm.

B) RESET KEY

Press and hold for 2 seconds to reboot the console.

C) START/STOP KEY

Start or stop workout.

D) RECOVERY KEY

Test heart rate recovery status.

E) BODY FAT KEY

Test body fat % and BMI.

F) RACK

Hold your phone or tablet.

G) LCD DISPLAY

Speed, RPM, time, distance, calories, watt, heart rate.



SYROS 2.0 CONSOLE OPERATION



SETUP YOUR PERSONAL DATA

Turn the intelligent drive to select U1~U4, the set SEX, AGE, HEIGHT, WEIGHT and press this drive to confirm.

START YOUR WORKOUT

Turn the intelligent drive to select workout.



M MANUAL

Use intelligent drive to select program at main menu and press to confirm. Press START/STOP key to star workout.

PRESET PROGRAM



There are 12 preset programs, use intelligent drive to select at main menu and press to confirm. Press START/STOP key to star workout.



HRC

Use intelligent drive to select program at main menu and press to enter. Select 55%, 75%, 90% or TAG (target heart rate, 100%) Press START/STOP key to star workout.



W WATT

Use intelligent drive to select program at main menu and press to enter. Set up WATT target and Time. Press START/STOP key to star workout.



U USER PROGRAM

Use intelligent drive to select program at main menu and press to enter. Create customized resistance workout and training time. Press START/STOP key to star workout.

RECOVERY

After exercising for a period, keep holding on hand grips or wearing heart rate strap and press RECOVERY button. All function display stop except time which count down from 60 to 0 second. Then display shows up heart rate recovery status from F1, F2....to F6. F1 is the best recovery status.

BODY FAT

In STOP mode, press BODY FAT button to start the measurement. Console shows U1 or U2 or U3 or U4 base on different user profile and start measuring. LCD displays BMI, FAT % and BODY FAT advice symbol after measuring.

*It is necessary to hold both hands on the hand grip during data measurement

*It takes 8 seconds to get the results

ENERGY SAVE

Without pedaling or there is no heart rate been received, 4 minutes later the console is entering energy save model. Press any key to wake up the console.



MONITORING YOUR HEART RATE



FEEDBACK

Your Horizon Fitness elliptical trainer offers two heart rate feedback options. You may choose to use the heart rate handlebars, or the chest transmitter (sold separately) for a hands free workout.

HEART RATE HANDLEBAR

Place the palm of your hands directly on the heart rate handlebars. Both hands must grip the bars for your heart rate to register. When gripping the handlebars, do not grip tightly. Holding the grips tightly may elevate your blood pressure. Try to maintain moderate pressure while holding onto the heart rate handlebars. It is recommended that you hold the handlebars only long enough to see your heart rate readout on the console. You may experience an erratic readout if consistently holding the handlebars.

TELEMETRIC CHEST TRANSMITTER (SOLD SEPARATELY)

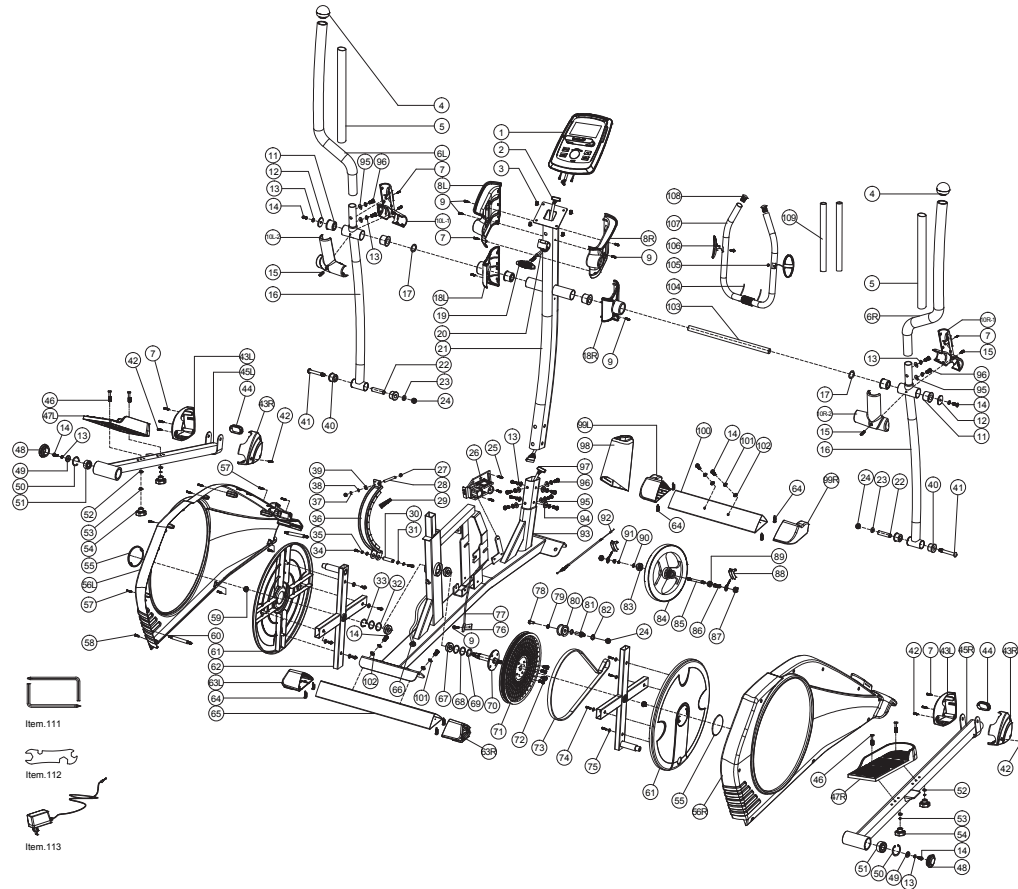
Prior to wearing the chest transmitter on your chest, moisten the two rubber electrodes with water. Center the chest strap just below the breast or pectoral muscles, directly over your sternum, with the logo facing out. NOTE: The chest strap must be tight and properly placed to receive an accurate and consistent readout. If the chest strap is too loose, or positioned improperly, you may receive an erratic or inconsistent heart rate readout.

If you have any problems with the heart rate function please refer to pages 10, 11 and 24 in the elliptical guide.

WARNING!

The heart rate function is not a medical device. Various factors may affect the accuracy of your heart rate reading. The heart rate reading is intended only as an exercise aid.

SYROS 2.0 EXPLODED VIEW



SYROS 2.0 PARTS LIST

NO.	DESCRIPTION	QTY
1	COMPUTER	1
2	UPPER COMPUTER CABLE	1
3	SCREW M5X10MM	4
4	END CAP	2
5	UPPER HANDLEBAR FOAM	2
6L	UPPER HANDLEBAR LEFT	1
6R	UPPER HANDLEBAR RIGHT	1
7	SELF-TAPING SCREW	7
8L	COMPUTER PLASTIC COVER LEFT	1
8R	COMPUTER PLASTIC COVER RIGHT	1
9	SCREW M5X12MM	7
10L-1	LEFT PLASTIC COVER FRONT	1
10L-2	LEFT PLASTIC COVER BACK	1
10R-1	RIGHT PLASTIC COVER FRONT	1
10R-2	RIGHT PLASTIC COVER BACK	1
11	BUSHING	6
12	FLAT WASHER	2
13	CURVED WASHER	16
14	ALLEN BOLT	8
15	SCREW	4
16	LOWER CONNECTION TUBE	2
17	CURVED WASHER	2
18L	PLASTIC COVER FRONT	1
18R	PLASTIC COVER BACK	1
19	T SHAPE KNOB	1

NO.	DESCRIPTION	QTY
20	TUBE	1
21	CONSOLE MAST	1
22	TUBE	2
23	FLAT WASHER	2
24	NUT M10	3
25	SCREW M5X15MM	3
26	MOTOR	1
27	NUT M6	2
28	STUD	1
29	CONE SPRING	1
30	IDLER SET AXLE	1
31	FLAT WASHER	2
32	FLAT WASHER	2
33	C SHAPE WASHER	1
34	HEXAGON BOLT	2
35	SPRING WASHER	2
36	MAGNET SET	1
37	PLASTIC WASHER	1
38	FLAT WASHER	1
39	HEX NUT	1
40	BUSHING	4
41	ALLEN BOLT	2
42	SCREW	4
43L	FOOTPLATE COVER LEFT	2
43R	FOOTPLATE COVER RIGHT	2

NO.	DESCRIPTION	QTY
44	END CAP	2
45L	PEDAL BAR LEFT	1
45R	PEDAL BAR RIGHT	1
46	ALLEN BOLT	4
47L	FOOTPLATE LEFT	1
47R	FOOTPLATE RIGHT	1
48	END CAP	2
49	FLAT WASHER	2
50	C SHAPE WASHER	2
51	BEARING	2
52	FLAT WASHER	4
53	SPRING WASHER	4
54	HEX KNOB	4
55	DECORATION FOR ROUND COVER	2
56L	CHAIN COVER LEFT	1
56R	CHAIN COVER RIGHT	1
57	SELF-TAPING SCREW	6
58	SCREW	6
59	FLANGE NUT	2
60	CONNECTING TUBE	2
61	ROUND COVER	2
62	CRANK	2
63L	REAR END CAP LEFT	1
63R	REAR END CAP RIGHT	1
64	SELF-TAPING SCREW	8

NO.	DESCRIPTION	QTY
65	REAR STABILIZER BAR	1
66	DC CABLE	1
67	BEARING	2
68	FLAT WASHER	2
69	CURVED WASHER	1
70	PEDAL AXLE	1
71	BELT WHEEL	1
72	ALLEN BOLT	4
73	BELT	1
74	SELF-TAPING SCREW	8
75	FLAT WASHER	8
76	SENSOR	1
77	SENSOR CABLE	1
78	ALLEN BOLT	1
79	FLAT WASHER	1
80	IDLER	1
81	AXLE FOR IDLER	1
82	FLAT WASHER	1
83	BEARING	1
84	FLYWHEEL	1
85	FLYWHEEL AXLE	1
86	HEX NUT	2
87	FLANGE NUT	2
88	BELT ADJUSTABLE SET	2
89	BEARING	1

SYROS 2.0 PARTS LIST

NO.	DESCRIPTION	QTY
90	CURVED WASHER	3
91	C SHAPE WASHER	2
92	CABLE	1
93	FRAME	1
94	FLAT WASHER	4
95	CURVED WASHER	8
96	ALLEN BOLT	12
97	LOWER COMPUTER CABLE	1
98	MAIN POST PLASTIC COVER	1
99L	FRONT END CAP LEFT	1
99R	FRONT END CAP RIGHT	1
100	FRONT STABILIZER BAR	1
101	SPRING WASHER	4
102	FLAT WASHER	4
103	ROTAION ROD	1
104	HANDLE PULSE CABLE	2
105	SELF-TAPING SCREW	2
106	HANDLE PULSE PAD	2
107	WRENCH	1
108	END CAP	2
109	HANDLEBAR FORM	2
111	ALLEN KEY WRENCH	2
112	COMBINATION WRENCH	1
113	ADAPTER	1

Eng: Waste Disposal

VISION Fitness / HORIZON Fitness / TEMPO Fitness / TREO Fitness products are recyclable. At the end of its useful life please dispose of this article correctly and safely (local refuse sites).

Ger: Entsorgungshinweis

Die Produkte VISION Fitness/HORIZON Fitness/TEMPO Fitness/TREO Fitness sind recycelbar. Führen Sie das Gerät am Ende der Nutzungsdauer einer sachgerechten Entsorgung zu (örtliche Sammelstelle).

Dut: Verwijderingsaanwijzing

VISION Fitness / HORIZON Fitness / TEMPO Fitness / TREO Fitness producten zijn recyclebaar. Breng het apparaat aan het einde van de gebruiksduur naar een in recycling gespecialiseerd bedrijf (plaatselijk verzamelpunt).

Fre: Remarque relative à la gestion des déchets

Les produits VISION Fitness / HORIZON Fitness / TEMPO Fitness / TREO Fitness sont recyclables. Lorsque cet appareil arrive en fin de vie, veuillez l'éliminer de manière correcte et en toute sécurité en le déposant dans une déchetterie communale.

Ita: Indicazione sullo smaltimento

I prodotti VISION Fitness / HORIZON Fitness / TEMPO Fitness / TREO Fitness sono riciclabili. Quando l'apparecchio non servirà più, portarlo in un apposito punto di raccolta della propria città (punti di raccolta comunali).

Spe: Gestión de residuos

Los productos de VISION Fitness / HORIZON Fitness / TEMPO Fitness / TREO Fitness son reciclables. Cuando se termine su vida útil, por favor deshágase de este artículo de forma correcta y segura en un punto limpio.

Prb: Descarte

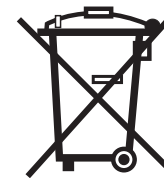
Os produtos VISION Fitness / HORIZON Fitness / TEMPO Fitness / TREO Fitness são recicláveis. No final de sua vida útil, descarte este equipamento corretamente e com segurança (sites de locais de lixo).

ChT: 廢棄物處理

VISION Fitness / HORIZON Fitness / TEMPO Fitness / TREO Fitness 產品為可回收產品。產品的使用年限期滿後，請依照正確且安全的方式處理本廢棄商品（當地的廢棄場）。

ChS: 废弃物处理

VISION Fitness / HORIZON Fitness / TEMPO Fitness / TREO Fitness 产品是可回收利用的。在其使用期结束后，请正确安全地（在本地垃圾处理场）处理本品。



WICHTIGE SICHERHEITSHINWEISE



BEWAHREN SIE DIE ANLEITUNGEN AUF

Lesen Sie dieses ELLIPTICAL TRAINER TRAINER-HANDBUCH, bevor Sie das BENUTZERHANDBUCH verwenden. Beim Gebrauch eines elektronischen Produkts sollten die folgenden grundlegenden Sicherheitshinweise unbedingt beachtet werden: Lesen Sie alle Anleitungen, bevor Sie diesen Elliptical Trainer benutzen. Der Besitzer ist dafür verantwortlich, dass alle Benutzer dieses Elliptical Trainers über alle Warn- und Sicherheitshinweise hinreichend informiert sind.



WARNUNG

SO REDUZIEREN SIE DAS RISIKO VON VERBRENNUNGEN, FEUER, ELEKTRISCHEN SCHLÄGEN UND VERLETZUNGEN AN PERSONEN:

- Sollten während des Trainings Schmerzen jeglicher Art, etwa Brustschmerzen, Übelkeit, Schwindel oder Atemlosigkeit, auftreten, beenden Sie sofort das Training und suchen Sie einen Arzt auf, bevor Sie das Training fortsetzen.
- Trainieren Sie stets in einem für Sie angenehmen Tempo. Sprinten Sie nicht mit einer Geschwindigkeit von über 80 U/min auf diesem Gerät. Falsches oder übermäßiges Training kann die Gesundheit beeinträchtigen.
- Um das Gleichgewicht zu halten, ist es sinnvoll, sich beim Training, Aufbau oder Abbau, an den Griffen festzuhalten.
- Versetzen Sie die Pedalarms nicht mit den Händen in Bewegung.
- Stellen Sie vor jedem Gebrauch sicher, dass die Handgriffe sicher installiert sind.
- Halten Sie die Oberfläche der Fußauflagen sauber und trocken.
- Montage und Demontage des Geräts müssen mit Vorsicht durchgeführt werden. Bringen Sie das Fußpedal vor Montage- oder Demontearbeiten auf der Seite der Arbeiten auf die niedrigste Position und halten Sie das Gerät vollständig an.
- Tragen Sie keine Kleidung, die sich an Ihrem Elliptical Trainer verfangen könnte.
- Tragen Sie stets Sportschuhe bei der Verwendung des Geräts.
- Springen Sie nicht auf den Elliptical Trainer.
- Der Elliptical Trainer darf immer nur von jeweils einer Person verwendet werden.
- Dieser Elliptical Trainer ist nur für den Heimgebrauch gedacht. Setzen Sie den Elliptical Trainer nicht für kommerzielle Zwecke, zur Vermietung, in Schulen oder anderen Einrichtungen ein. Bei Zuwiderhandlung verfällt die Garantie.
- Verwenden Sie den Elliptical Trainer in keiner Umgebung ohne Temperaturregulierung, etwa in Garagen, Vorbauten, Pool-Anlagen, Badezimmern, Autostellplätzen oder im Freien. Bei Zuwiderhandlung verfällt die Garantie.
- Dieser Elliptical Trainer entspricht EN957-1/9, Ellipsen-Trainer der Klasse: HB; das Bremssystem ist einstellbar.
- Zur Vermeidung von Stromschlägen dürfen keine Gegenstände in Öffnungen am Gerät eingeworfen oder eingeführt werden.
- Halten Sie das Netzkabel von aufgeheizten Oberflächen fern. Tragen Sie das Gerät nicht am Netzkabel bzw. verwenden Sie das Kabel nicht als Griff.
- Trennen Sie das Gerät von der Stromversorgung, bevor Sie es warten oder umstellen. Reinigen Sie das Gerät mit einem leicht angefeuchteten Tuch und milder Seife. Verwenden Sie niemals Lösungsmittel. (Siehe „WARTUNG“.)
- Verwenden Sie keine Anbauteile oder -geräte, die nicht vom Hersteller empfohlen sind. Anbauteile können zu Verletzungen führen.
- Nehmen Sie das Gerät nicht an Orten in Betrieb, an denen Aerosolprodukte (Spray) verwendet werden oder Sauerstoff verabreicht wird.
- Verwenden Sie den Elliptical Trainer nur wie im Elliptical Trainer- und Benutzerhandbuch beschrieben.
- Stellen Sie das Gerät auf einem stabilen Untergrund auf.



Kinder unter 13 Jahren sollten **UNBEDINGT** einen Abstand von mindestens drei Metern zum Elliptical Trainer einhalten. Kinder unter 13 Jahren sollten den Elliptical Trainer **NICHT** verwenden. Jugendliche über 13 oder behinderte Personen sollten den Elliptical Trainer nur unter Beaufsichtigung einer erwachsenen Person verwenden.



Der Elliptical Trainer darf nur im klimatisierten Innenbereich verwendet werden. Wurde Ihr Elliptical Trainer niedrigen Temperaturen oder hoher Luftfeuchtigkeit ausgesetzt, sollte er vor dem ersten Gebrauch unbedingt auf Raumtemperatur erwärmt werden. Werden diese Hinweise nicht beachtet, kann es zu einer elektronischen Fehlfunktion kommen.

HINWEISE ZUR ERDUNG

Im Falle einer Fehlfunktion oder eines Ausfalls eines Elliptical Trainers bietet die Erdung dem elektrischen Strom den Weg des geringsten Widerstands, was das Risiko eines Stromschlags verringert. Dieses Produkt ist mit einem Kabel ausgestattet, das über einen Geräteschutzleiter und einen Erdungsstecker verfügt. Der Netzstecker muss in eine geeignete Steckdose gesteckt werden, die entsprechend den örtlichen Vorschriften und Verordnungen installiert und geerdet ist.

Ein unsachgemäßer Anschluss des Geräteschutzleiters kann zu einem Stromschlag führen. Wenden Sie sich an einen qualifizierten Elektriker oder Servicetechniker, wenn Sie Zweifel haben, ob das Gerät ordnungsgemäß geerdet ist. Nehmen Sie keine Änderungen am mitgelieferten Netzstecker vor. Passt dieser nicht in Ihre Steckdose, lassen Sie eine geeignete Steckdose von einem qualifizierten Elektriker installieren.

WARNUNG

Schließen Sie das Trainingsgerät nur an eine ordnungsgemäß geerdete Steckdose an.

Betreiben Sie das Gerät niemals mit einem beschädigten Kabel oder Stecker, auch wenn es normal funktioniert. Betreiben Sie niemals ein Gerät, das beschädigt zu sein scheint oder in Wasser getaucht worden ist. Wenden Sie sich für Ersatz oder Reparatur an Ihren lokalen Händler.

BASISBETRIEB



HERZLICHEN GLÜCKWUNSCH ZUR WAHL IHRES ELLIPTICAL TRAINERS!

Sie haben einen wichtigen Schritt unternommen, um ein nachhaltiges Trainingsprogramm aufzubauen. Ihr Elliptical Trainer ist ein äußerst effektives Mittel, um Ihre persönlichen Fitnessziele zu erreichen. Der regelmäßige Gebrauch Ihres Elliptical Trainers kann Ihre Lebensqualität in vielerlei Hinsicht verbessern.

Hier sind nur einige der gesundheitlichen Vorteile von Bewegung:

- Gewichtsabnahme
- Ein gesünderes Herz
- Verbesserter Muskeltonus
- Erhöhtes Energieniveau im Alltag

Der Schlüssel zur Nutzung dieser Vorteile ist die Entwicklung einer Trainingsgewohnheit. Ihr neuer Elliptical Trainer hilft Ihnen Hindernisse zu überwinden, die Sie vom Training abhalten. Schlechtes Wetter und Dunkelheit werden Ihr Training nicht stören, wenn Sie Ihren Elliptical Trainer zu Hause benutzen. Dieses Handbuch bietet Ihnen grundlegende Informationen für die Nutzung und den Genuss Ihres neuen Geräts.



STANDORT DES ELLIPTICAL TRAINERS

Stellen Sie den Elliptical Trainer auf einer ebenen Oberfläche auf. Wir empfehlen Ihnen, um Ihren Elliptical Trainer herum ausreichend Platz zu lassen (siehe Handbuch). Platzieren Sie den Elliptical Trainer so, dass keine Öffnungen am Gerät blockiert werden.

STROMVERSORGUNG

Ihr Elliptical Trainer wird durch ein Netzteil mit Strom versorgt. Das Netzkabel muss in die Netzbuchse eingesteckt werden, die sich an der Vorderseite des Geräts in der Nähe des Standfußes befindet. Einige Elliptical Trainer haben einen Netzschalter, der sich neben der Netzbuchse befindet. Achten Sie darauf, dass er sich in der EIN-Position befindet.

HINWEIS: Einige Elliptical Trainer haben einen EIN/AUS-Schalter hinter der Konsole.

⚠️ WARNUNG

Verwenden Sie das Gerät nicht, wenn Kabel oder Stecker beschädigt sind, es nicht ordnungsgemäß funktioniert, beschädigt oder in Wasser getaucht worden ist. Kontaktieren Sie unser Servicezentrum für technische Unterstützung, Reparaturen oder Ersatzteile.

FUSSPOSITIONIERUNG

Ihr Elliptical Trainer bietet eine Vielzahl von Fußpositionen. Wenn Sie Ihren Fuß in die vorderste Position der Trittfläche bringen, erhöht sich Ihre Schritthöhe, was ein ähnliches Gefühl wie bei einem Stepper erzeugt. Wenn Sie Ihren Fuß in die hinterste Position der Trittfläche bringen, verringert sich die Schritthöhe und es entsteht ein ähnliches Gefühl wie beim Gehen oder Laufen. Achten Sie immer darauf, dass Ihr gesamter Fuß sicher auf der Trittfläche steht.

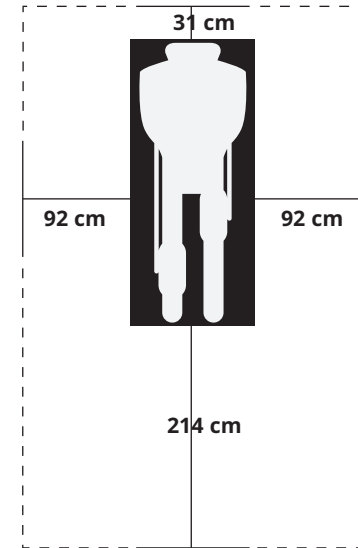
Ihr Elliptical Trainer ermöglicht es Ihnen, sowohl vorwärts als auch rückwärts zu treten, damit Sie Ihr Training abwechslungsreich gestalten und sich auf andere wichtige Beinmuskulgruppen wie Ihre Oberschenkel und Waden konzentrieren können.

TRAININGSOPTIONEN



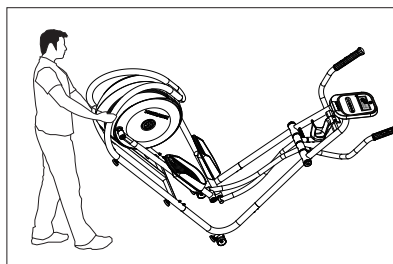
WORKOUT FÜR DEN GESAMTEN KÖRPER

Für ein Ganzkörpertraining drücken und ziehen Sie kontinuierlich an den Dual-Action-Armen, während Sie in die Pedale treten.



AUFSTEIGEN AUF DEN ELLIPTICAL TRAINER

1. Stellen Sie sich auf die Seite des Elliptical Trainers mit der niedrigeren Trittpläche.
2. Halten Sie sich an den fixierten Handgriffen fest, setzen Sie einen Fuß auf die niedrigere Trittpläche und steigen Sie auf den Elliptical Trainer.
3. Warten Sie, bis sich der Elliptical Trainer eingependelt hat und setzen Sie dann den anderen Fuß auf die



UMSTELLEN DES ELLIPTICAL TRAINERS

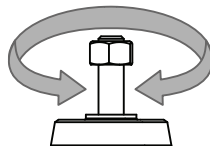
Ihr Elliptical Trainer ist am vorderen Standfuß mit einem Paar Transportrollen ausgestattet. Um das Gerät umzustellen, trennen Sie zunächst die Stromversorgung. Heben Sie es im Stahlbereich des hinteren Standfußes an und rollen Sie es vorsichtig weg. **HINWEIS:** Stellen Sie sicher, dass Sie das Gerät am Stahlrahmen festhalten und nicht an der Kunststoffabdeckung.

WARNUNG

Da unsere Elliptical Trainer schwer sind, gehen Sie umsichtig vor und holen Sie sich Unterstützung, wenn Sie das Gerät umstellen. Befolgen Sie diese Anweisungen, um Verletzungen zu vermeiden.

NIVELLIERUNG DES ELLIPTICAL TRAINERS

Der Elliptical Trainer sollte für den optimalen Gebrauch eben aufgestellt werden. Nachdem Sie den Elliptical Trainer am gewünschten Ort aufgestellt haben, stellen Sie die Fläche der Plattform mithilfe von einer oder beiden verstellbaren Nivellierhilfen unten am Rahmen des Geräts ein*. Verwenden Sie hierzu am besten eine Wasserwaage. Wenn Sie Ihren Elliptical Trainer eben eingestellt haben, fixieren Sie die Nivellierhilfen, indem Sie die Muttern am Rahmen festziehen. *HINWEIS: Einige Elliptical Trainer haben keine Nivellierhilfen.



EINSTELLEN HÖHE



VERWENDUNG DER HERZFREQUENZFUNKTION

Ihr Ellipsentrainer ist entweder mit Pulsgriffen oder einem Daumenpulssensor ausgestattet. Um die Ausstattung Ihres Modells zu ermitteln, lesen Sie den Anfang des Abschnitts AUFBAU Ihres BENUTZERHANDBUCHS.

Die Herzfrequenzmessung dieses Produkts ist keine medizinische Funktion. Herzfrequenzmesser oder ein Daumenpulssensor an den Griffen erlauben zwar eine relative Abschätzung der tatsächlichen Herzfrequenz, sollten aber nicht als zuverlässig angesehen werden, wenn exakte Messwerte erforderlich sind. Einige Menschen, z. B. Teilnehmer eines Cardio-Reha-Programms, sollten ein zusätzliches Herzfrequenzüberwachungssystem wie einen Brust- oder Handgelenksgurt nutzen. Verschiedene Faktoren, unter anderem die Bewegung des Anwenders, können die Genauigkeit der Herzfrequenzmessung beeinflussen. Die Herzfrequenzmessung ist nur als Unterstützung beim Training und zum Ermitteln von allgemeinen Herzfrequenztrends gedacht. Bitte wenden Sie sich bei Fragen an Ihren Arzt.

PULSGRIFFE

Legen Sie die Handinnenflächen direkt auf die Pulsgriffe. Beide Hände müssen die Griffe umfassen, damit die Herzfrequenz gemessen werden kann. Nach fünf aufeinanderfolgenden Herzschlägen (15-20 Sekunden) wird Ihre Herzfrequenz erfasst. Beim Festhalten an den Pulsgriffen nicht zu fest greifen. Wenn Sie die Griffe besonders fest halten, kann sich Ihr Blutdruck erhöhen. Umschließen Sie die Griffe vollständig aber locker. Es kann zu schwankenden Anzeigewerten kommen, wenn Sie den Lenker über längere Zeit halten. Halten Sie die Pulssensoren sauber, damit der Kontakt gewährleistet bleibt.



ACHTUNG

Drücken Sie nicht übermäßig stark auf den Sensor, da dies zu Schäden führen kann.

AUFBAU



WARNUNG

Beim Aufbau gibt es einige Schritte, die besondere Aufmerksamkeit erfordern. Es ist sehr wichtig, die Aufbauanleitung genau zu befolgen und sicherzustellen, dass alle Komponenten fest verschraubt sind. Wenn die Aufbauanleitung nicht korrekt befolgt wird, kann es dazu kommen, dass Rahmenteile am Elliptical Trainer nicht festgezogen sind sich lösen, was zu störenden Geräuschen führen kann. Um Schäden am Elliptical Trainer zu vermeiden, sollten Sie die Aufbauanleitung sorgfältig lesen und etwaige beim Aufbau gemachte Fehler korrigieren.

Bevor Sie fortfahren, ermitteln Sie die Seriennummer Ihres Elliptical Trainers am vorderen Standfuß und geben Sie sie in das untenstehende Feld ein. Ermitteln Sie auch die Modellbezeichnung – sie steht neben der Seriennummer.

GEBEN SIE DIE SERIENNUMMER UND DIE MODELLBEZEICHNUNG IN DEN NACHSTEHENDEN FELDERN EIN:

SERIENNUMMER:

--	--	--	--	--	--	--	--	--	--	--	--	--	--	--	--	--	--	--	--

MODELLBEZEICHNUNG:

--	--	--	--	--	--	--	--	--	--	--	--	--	--	--	--	--	--	--	--



OBERE HALTESTANGE

PULSGRIFFE

UNTERE HALTESTANGE

KURBELABDECKUNG

TRITTFLÄCHE

NETZKABELANSCHLUSS

STANDFUSS HINTEN

KONSOLE

OBERE HALTESTANGENABDECKUNG

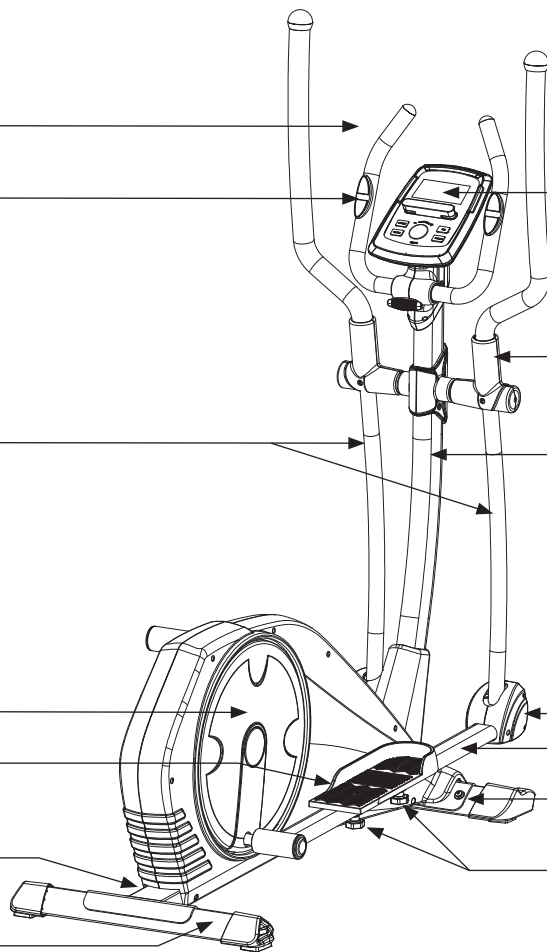
KONSOLENMAST

KONSOLENMASTHALTERUNG

PEDALARM

STANDFUSS VORNE

PEDALEINSTELLKNOPF



IM LIEFERUMFANG ENTHALTENE WERKZEUGE:

- 5 mm L-Schraubenschlüssel
- Gabelschlüssel

IM LIEFERUMFANG ENTHALTENE TEILE:

- 1 Hauptrahmen
- 1 Standfuß vorne
- 1 Standfuß hinten
- 1 Konsole
- 1 Konsolenmast
- 1 Konsolenmasthalterung
- 2 obere Haltestangen
- 2 untere Haltestangen
- 2 obere Haltestangenabdeckungen
- 2 Pedale
- 2 Pedalarmer
- 1 Netzkabel
- 1 Gerätesatz

VOR DEM AUFBAU

AUSPACKEN

Packen Sie das Produkt an der Stelle aus, an der Sie es aufstellen möchten. Stellen Sie den Karton mit dem Elliptical Trainer auf eine ebene Fläche. Es empfiehlt sich, den Boden mit einer Schutzfolie auszulegen. Öffnen Sie den Karton nicht, wenn er auf der Seite liegt.

WARNUNG

- Es wird empfohlen, dass zwei Personen zusammen arbeiten, um die Montage eines Elliptical Trainers zu erleichtern und effizient zu gestalten.
- Stellen Sie bei jedem Aufbauschnitt sicher, dass ALLE Schrauben und Muttern eingesetzt sind und ein Gewinde besitzen. Es wird empfohlen, den kompletten Aufbau des Geräts abzuschließen, bevor Sie irgendeine Schraube festziehen.
- Einige Komponenten wurden für einen leichteren Aufbau und Gebrauch werksseitig vorgefettet. Entfernen Sie das Fett bitte nicht. Sollten Schwierigkeiten auftreten, empfiehlt sich die Anwendung von etwas Lithium-Fahrradfett.

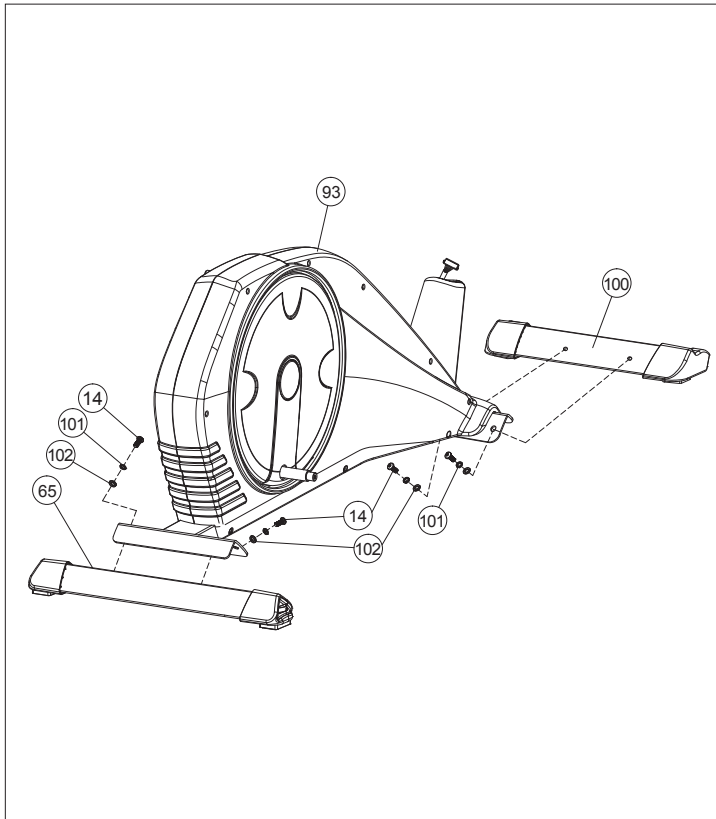
BENÖTIGEN SIE UNTERSTÜTZUNG?

Bei Fragen oder fehlenden Teilen wenden Sie sich an unseren technischen Kundendienst.





AUFBAUSCHRITT 1

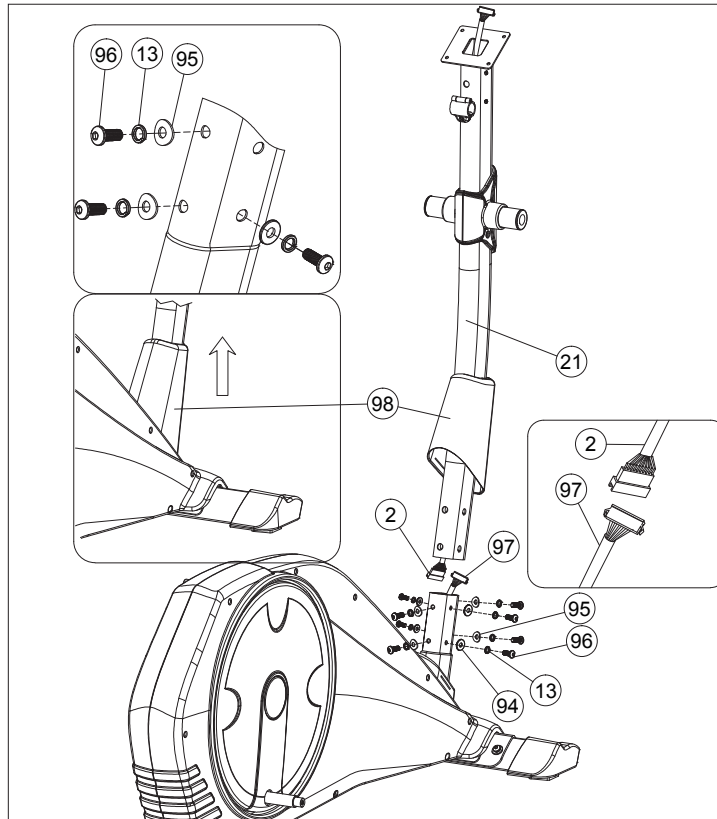


HARDWARE:

	SCHRAUBE (14) M8 X 20 MENGE: 4		FEDERSCHEIBE (101) Φ8 MENGE: 4
	UNTERLEGSCHLEIBE (102) Φ8 X Φ20 X 2.5T MENGE: 4		

- A Befestigen Sie den **STANDFUSS HINTEN** (65) am **HAUPTRAHMEN** (93) mit 2 **SCHRAUBEN** (14) & **UNTERLEGSCHLEIBEN** (101 & 102).
- B Befestigen Sie den **VORDEREN STANDFUSS** (100) am **HAUPTRAHMEN** (93) mit 2 **SCHRAUBEN** (14) & **UNTERLEGSCHLEIBEN** (101 & 102).

AUFBAUSCHRITT 2

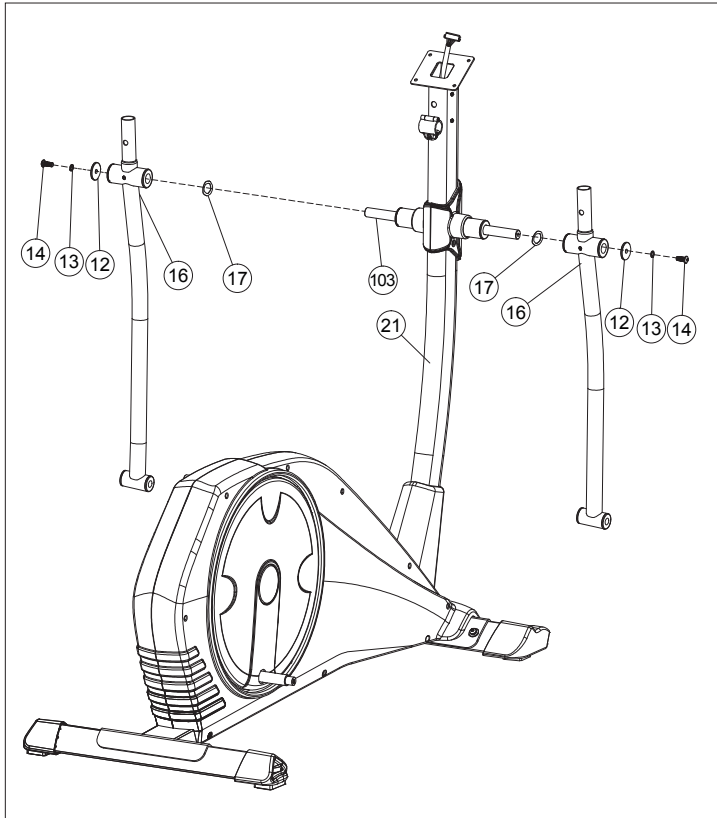


- A Schieben Sie die **KONSOLENMASTHALTERUNG** (98) von unten nach oben auf den **KONSOLENMAST** (21).
- B Befestigen Sie die **KONSOLENKABEL** (2 & 97) und schieben Sie sich vorsichtig in den **HAUPTRAHMEN** (93).
- C Schieben Sie den **KONSOLENMAST** (21) in den **HAUPTRAHMEN** (93) mit den 4 **VORINSTALLIERTEN SCHRAUBEN** (96), 4 **VORINSTALLIERTEN UNTERLEGSCHIEBEN (GEBOGEN)** (13), 4 **VORINSTALLIERTEN UNTERLEGSCHIEBEN** (94) von der linken & und rechten Seite und 4 **VORINSTALLIERTEN SCHRAUBEN** (96), 4 **VORINSTALLIERTEN UNTERLEGSCHIEBEN (GEBOGEN)** (13), 4 **VORINSTALLIERTEN UNTERLEGSCHIEBEN**

HINWEIS: Achten Sie darauf, dass Sie bei der Montage des Konsolenmasts keine Kabel abklemmen.



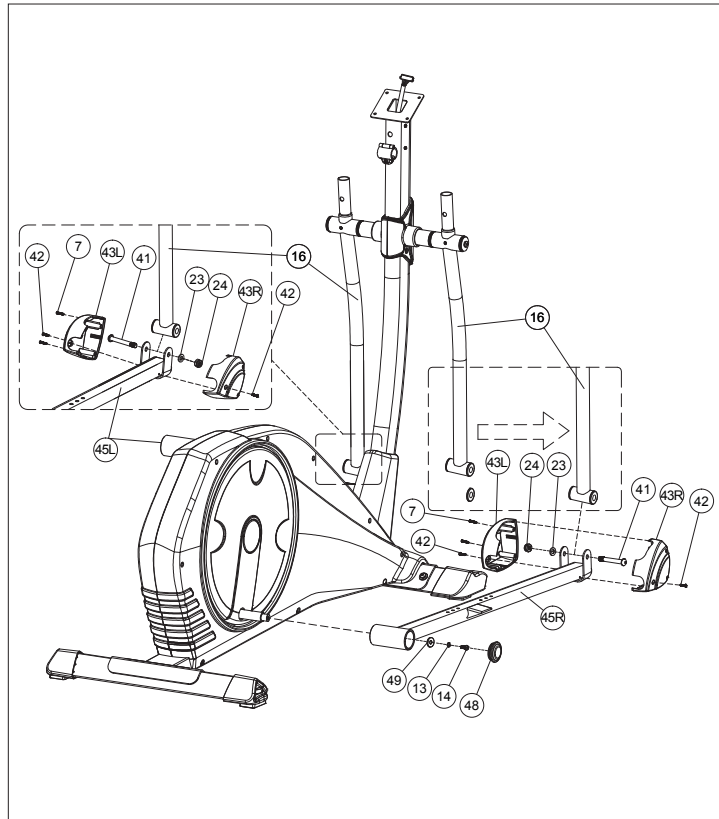
AUFBAUSCHRITT 3










HINWEIS: Für diesen Schritt ist keine Hardware erforderlich.

- A Schieben Sie die **ACHSE** (103) vorsichtig durch den **KONSOLENMAST** (21).
- B Befestigen Sie die **UNTERE HALTESTANGE** (16) am **KONSOLENMAST** (21) mit 1 **VORINSTALLIERTEN SCHRAUBE** (14), 1 **VORINSTALLIERTEN UNTERLEGSCHLEIFE (GEBOGEN)** (13) & 1 **VORINSTALLIERTEN UNTERLEGSCHLEIFE (GEWELLT)** (17).
- C Wiederholen Sie Schritt B auf der anderen Seite.

AUFBAUSCHRITT 4



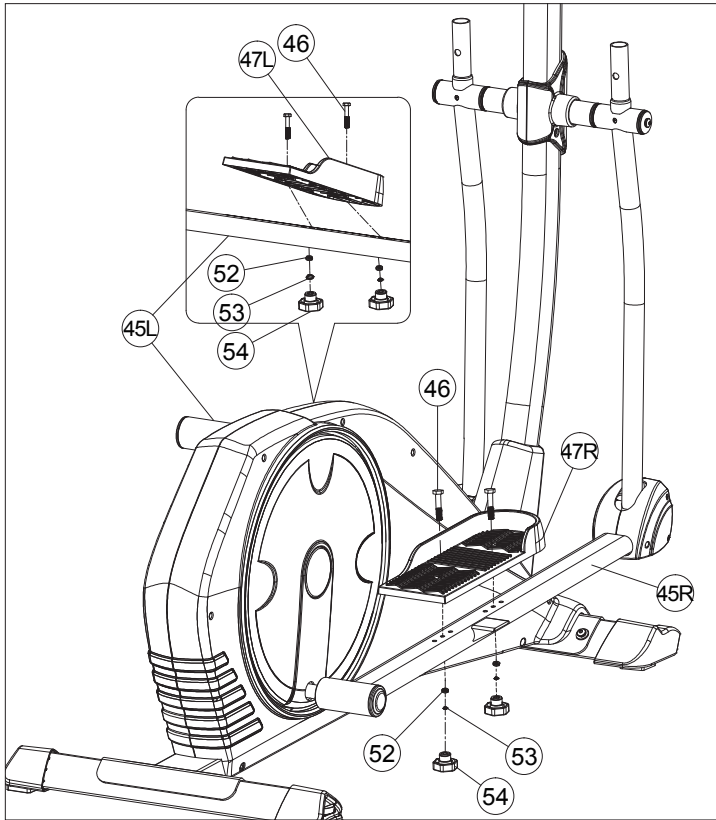
HARDWARE:

 SCHRAUBE (14) M8 X 20 MENGE: 2	 SCHRAUBE (41) M10 X 78 MENGE: 2
 UNTERLEGSCHIBE (23) Φ10 X Φ19 X 2T MENGE: 2	 MUTTER (24) M10 MENGE: 2
 UNTERLEGSCHIBE (49) Φ8 X Φ21 X 2T MENGE: 2	 ENDKAPPE (48) MENGE: 2
 UNTERLEGSCHIBE (GEBOGEN) (13) MENGE: 2	





- A Schieben Sie den **PEDALARM** (45R) auf die **KURBEL** mit 1 **UNTERLEGSCHIBE** (49), 1 **UNTERLEGSCHIBE (GEBOGEN)** (13), 1 **SCHRAUBE** (14) & 1 **ENDKAPPE** (48).
- B Richten Sie das gegenüberliegende Ende des **PEDALARMS** (45R) mit dem unteren Ende der **UNTEREN HALTESTANGE** (16) aus und sichern Sie die Verbindung mit 1 **SCHRAUBE** (41), 1 **UNTERLEGSCHIBE** (23) und 1 **MUTTER**(24).
- C Befestigen Sie die **PEDALARMABDECKUNG** (43R & 43L) von beiden Seiten des **PEDALARMS** (45R) mit 2 **VORINSTALLIERTEN BOLZEN** (42) und 2 **VORINSTALLIERTEN SCHRAUBEN** (7).
- D Wiederholen Sie die Schritte A bis C auf der anderen Seite.



AUFBAUSCHRITT 5

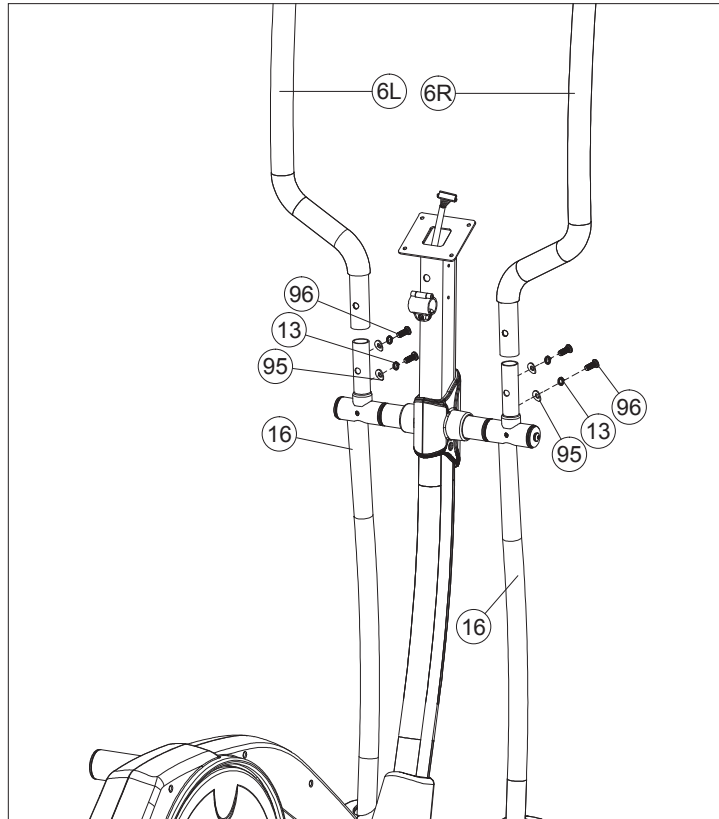


HARDWARE:

	SCHRAUBE (46) M8 X 50 MENGE: 4		PEDALKNOPF (54) M8 MENGE: 4
	FEDERSCHEIBE (53) Φ8 MENGE: 4		UNTERLEGSCHIBE (52) Φ8,5 X Φ16 X 2T MENGE: 4


- A Befestigen Sie das **PEDAL** (47R) am **PEDALARM** (45R) mit 2 **SCHRAUBEN** (46), 2 **UNTERLEGSCHIBEN** (52), 2 **FEDERSCHIBEN** (53) und 2 **PEDALKNÖPFEN** (54).
- B Wiederholen Sie den Schritt auf der anderen Seite.


AUFBAUSCHRITT 6



HARDWARE:

 SCHRAUBE (96)
M8 X 20
MENGE: 4

 UNTERLEGSCHIBE
(GEBOGEN) (95)
Φ8 X Φ19 X 1.5T
MENGE: 4

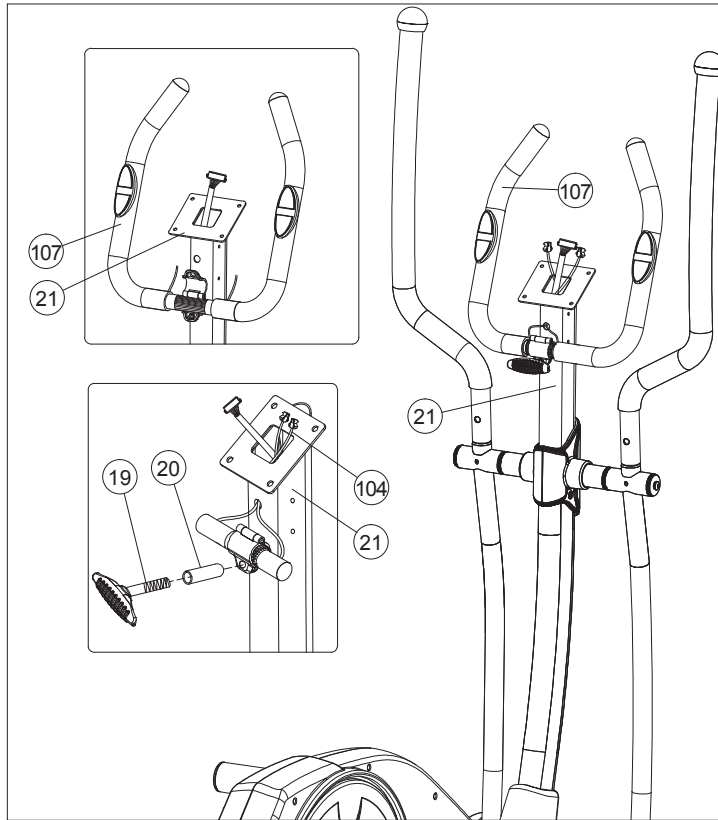
 FEDERSCHIBE (13)
Φ8
MENGE: 4

- A Schieben Sie die **OBERE HALTESTANGE** (6R) auf die **UNTERE HALTESTANGE** (16) und sichern Sie die Verbindung mit 2 **SCHRAUBEN** (96), 2 **UNTERLEGSCHIBEN (GEBOGEN)** (95) und 2 **FEDERSCHIBEN** (13).
- B Wiederholen Sie Schritt A auf der anderen Seite.





AUFBAUSCHRITT 7

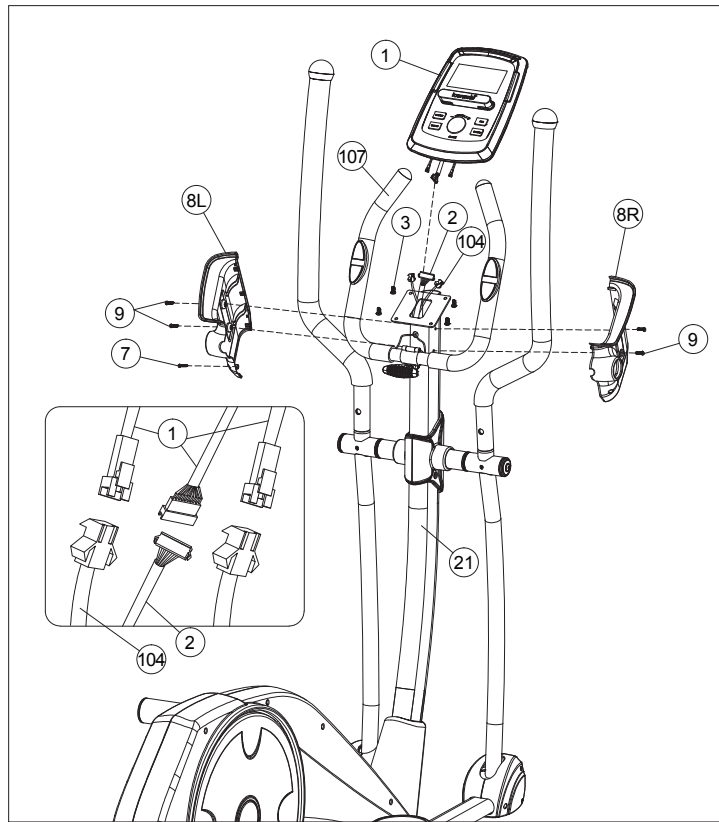


HARDWARE:

	BUCHSE (20) Φ8 X Φ13 X 35 MENGE: 1		T-KNOPF (19) M8 X 64 X 32 MENGE: 1
--	--	--	--

- A Schieben Sie die **DRÄHTE DER HALTESTANGEN** (104) durch das Loch im **KONSOLENMAST** (21) und oben aus dem **KONSOLENMAST** (21) heraus.
- B Befestigen Sie die **HALTESTANGE** (107) am **KONSOLENMAST** (21) mit 1 **BUCHSE** (20) und

AUFBAUSCHRITT 8



HARDWARE:



SCHRAUBE (7)
M4 X 15
MENGE: 1

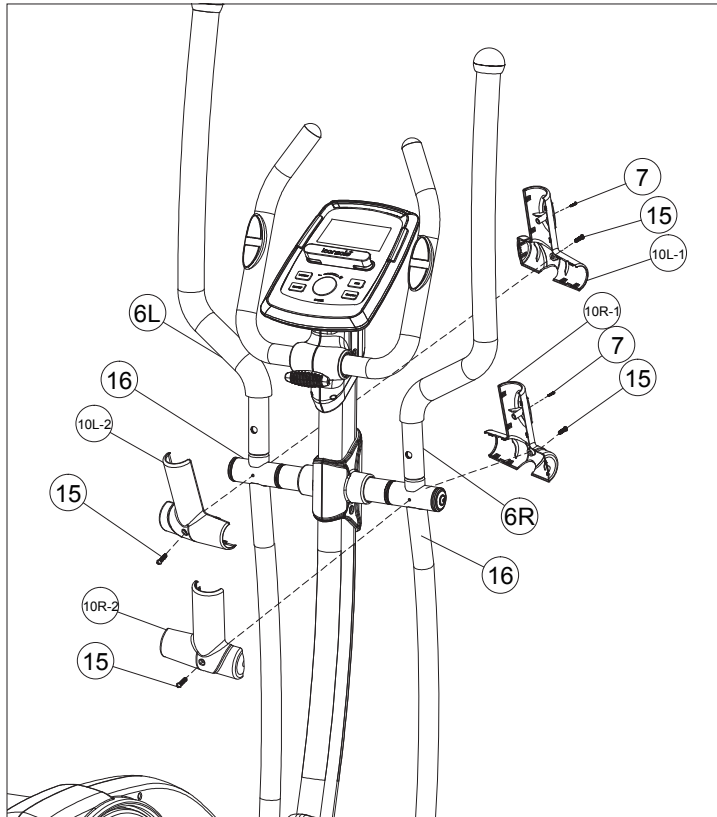
- A Befestigen Sie die **KONSOLENKABEL** (1 & 2 & 104) und schieben Sie die **KONSOLENKABEL** (1 & 2 & 104) vorsichtig in den **KONSOLENMAST** (21).
- B Befestigen Sie die **KONSOLE** (1) am **KONSOLENMAST** (21) mit den 4 **VORINSTALLIERTEN SCHRAUBEN** (3).
- C Befestigen Sie die **LINKEN & RECHTEN KONSOLENMASTABDECKUNGEN** (8R & 8L) am **KONSOLENMAST** (21) mit 4 **VORINSTALLIERTEN SCHRAUBEN** (9) und 1 **SCHRAUBE** (7).

HINWEIS: Achten Sie darauf, dass Sie beim Befestigen der Konsole keine Kabel abklemmen.





AUFBAUSCHRITT 9



HARDWARE:



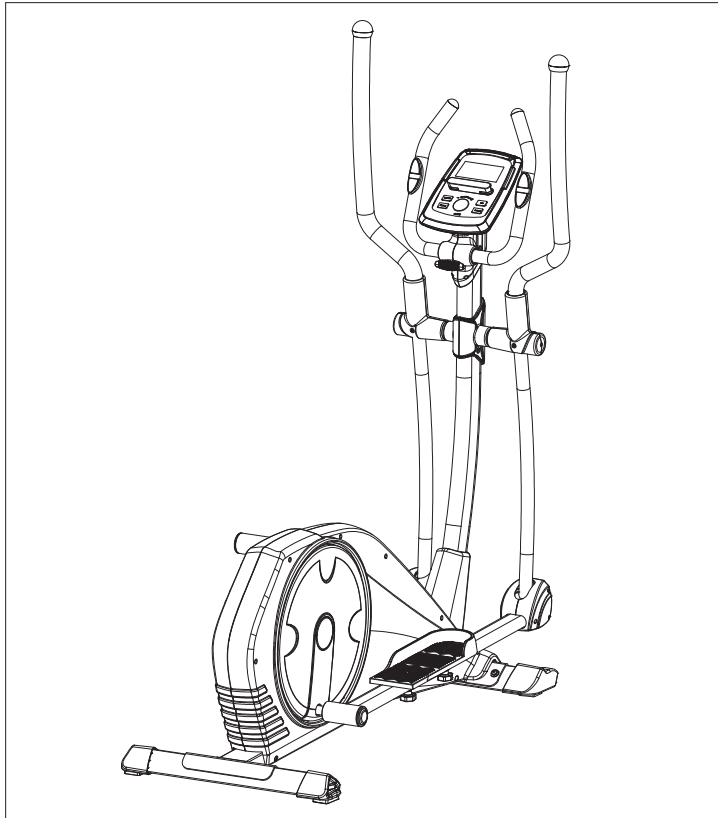
SCHRAUBE (7)
M4 X 15
MENGE: 2



SCHRAUBE (15)
M5 X 12
MENGE: 4

- A Befestigen Sie die **HALTESTANGENABDECKUNG** (10R-1 & 10R-2) von der Vorderseite mit 1 **VORINSTALLIERTER SCHRAUBE** (15) und 1 **SCHRAUBE** (7) sowie von der Hinterseite mit 1 **VORINSTALLIERTER SCHRAUBE** (15).
- B Wiederholen Sie Schritt A auf der anderen Seite.

AUFBAUSCHRITT 10



AUFBAU ABGESCHLOSSEN!



SYROS 2.0

Max. Nutzergewicht: 150 kg

Gesamtabmessungen: 153 x 63 x 163 cm

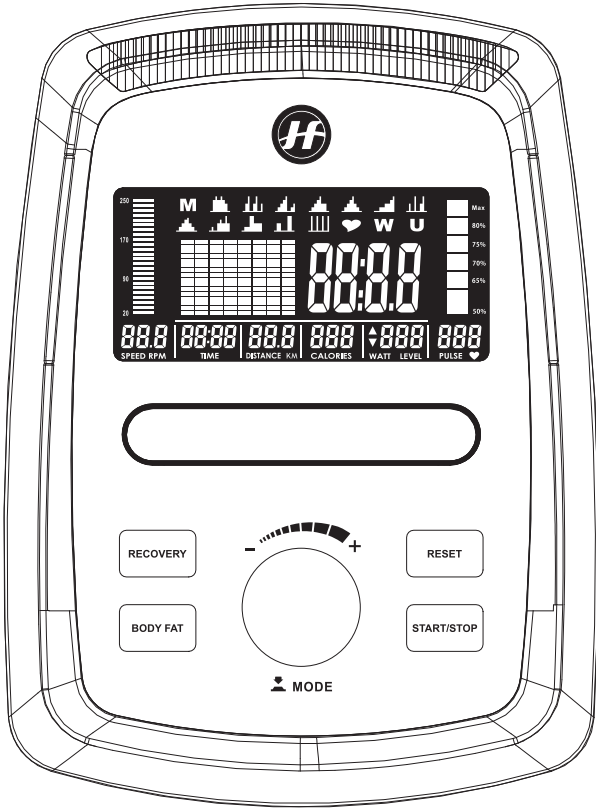


BETRIEB DES ELLIPTICAL TRAINER



In diesem Abschnitt werden Betrieb und Programmierung des Elliptical Trainers beschrieben.
Informationen zum BASISBETRIEB finden Sie im ELLIPTICAL TRAINER-HANDBUCH.

SYROS 2.0 KONSOLENANZEIGE



BEDIENUNG DER SYROS 2.0 KONSOLE

A) INTELLIGENTES AUSWAHLRAD

Drehen Sie, um Programme auszuwählen, den Widerstand einzustellen und Trainingszahlen abzurufen. Drücken Sie die Taste, um zu bestätigen.

B) ZURÜCKSETZEN (RESET)

Drücken und 2 Sekunden halten, um die Konsole neu zu starten.

C) START/STOPP

Training starten oder beenden.

D) ERHOLUNG (RECOVERY)

Ermittelt den Herzfrequenz-Erholungsstatus.

E) KÖRPERFETT (BODY FAT)

Ermittelt das Körperfett in % und den BMI.

F) HALTERUNG

Zur Ablage Ihres Smartphones oder Tablet.

G) LCD-ANZEIGE

Geschwindigkeit, U/min, Zeit, Strecke, Kalorien, Watt, Herzfrequenz.



BEDIENUNG DER SYROS 2.0 KONSOLE



PERSÖNLICHE DATEN EINSTELLEN

Drehen Sie das intelligente Auswahlrads, um U1~U4 auszuwählen und GESCHLECHT, ALTER, GRÖSSE und GEWICHT einzustellen. Drücken Sie das Auswahlrads, um die Auswahl zu bestätigen.

TRAINING BEGINNEN

Drehen Sie das intelligente Auswahlrads, um ein Training auszuwählen.



M MANUELL

Verwenden Sie das intelligente Auswahlrads, um ein Programm im Hauptmenü auszuwählen. Drücken Sie das Auswahlrads, um zu bestätigen. Drücken Sie START/STOPP, um mit dem Training zu beginnen.

VOREINGESTELLTE PROGRAMME



Es gibt 12 voreingestellte Programme. Verwenden Sie das intelligente Auswahlrads, um eines im Hauptmenü auszuwählen. Drücken Sie das Auswahlrads, um zu bestätigen. Drücken Sie START/STOPP, um mit dem Training zu beginnen.



HRC

Verwenden Sie das intelligente Auswahlrads, um ein Programm im Hauptmenü auszuwählen. Drücken Sie das Auswahlrads, um zu bestätigen. Wählen Sie 55 %, 75 %, 90 % der ZHF (Zielherzfrequenz, 100 %). Drücken Sie START/STOPP, um das Training zu starten.



W WATT

Verwenden Sie das intelligente Auswahlrads, um ein Programm im Hauptmenü auszuwählen. Drücken Sie das Auswahlrads, um zu bestätigen. Geben Sie die gewünschten WATT und die Zeit ein. Drücken Sie START/STOPP, um mit dem Training zu beginnen.



U BENUTZERDEFINIERT (USER PROGRAM)

Verwenden Sie das intelligente Auswahlrads, um ein Programm im Hauptmenü auszuwählen. Drücken Sie das Auswahlrads, um zu bestätigen. Erstellen Sie ein individuelles Widerstandstraining und wählen Sie eine beliebige Trainingszeit. Drücken Sie START/STOPP, um mit dem Training zu beginnen.

ERHOLUNG (RECOVERY)

Halten Sie nach dem Training die Handgriffe für eine Weile fest oder nehmen den Herzfrequenzgurt nicht ab und drücken Sie ERHOLUNG (RECOVERY). Die Anzeige aller Funktionen stoppt, außer der Zeitanzeige, die von 60 auf 0 Sekunden herunterzählt. Anschließend wird der Herzfrequenz-Erholungsstatus von F1, F2.... bis F6 angezeigt. F1 ist der beste Erholungsstatus.

KÖRPERFETT (BODY FAT)

Drücken Sie im Modus STOP die Taste KÖRPERFETT (BODY FAT), um mit der Messung zu beginnen. Die Konsole zeigt je nach Benutzerprofil U1, U2, U3 oder U4 an und beginnt mit der Messung. Auf der Anzeige wird nach der Messung der BMI, KÖRPERFETT in % und ein RATGEBERSYMBOL angezeigt.

*Es ist notwendig, während der Datenmessung beide Hände am Handgriff zu halten.

*Es dauert 8 Sekunden, um Ergebnisse zu erhalten.

ENERGIESPARMODUS (ENERGY SAVE)

Wenn niemand in die Pedale tritt oder keine Herzfrequenz empfangen wird, wechselt die Konsole nach 4 Minuten in den Energiesparmodus. Drücken Sie eine beliebige Taste, um die Konsole wieder zu aktivieren.



ÜBERWACHUNG IHRER HERZFREQUENZ



FEEDBACK

Ihr Horizon Fitness Elliptical Trainer bietet zwei Optionen, um Feedback zur Herzfrequenz zu erhalten. Sie können entweder die Pulsgriffe am Lenker oder einen Brustgurt mit Sender (separat erhältlich) für ein lenkerunabhängiges Training verwenden.

PULSGRIFFE

Legen Sie die Handinnenflächen direkt auf die Pulsgriffe am Lenker. Beide Hände müssen die Griffe umfassen, damit die Herzfrequenz gemessen werden kann. Beim Festhalten an den Pulsgriffen nicht zu fest greifen. Wenn Sie die Griffe besonders fest halten, kann sich Ihr Blutdruck erhöhen. Versuchen Sie, die Pulsgriffe locker zu umschließen und nicht zu viel Druck aufzubauen. Es wird empfohlen, die Pulsgriffe am Lenker nur so lange zu halten, bis Sie Ihre Herzfrequenz auf der Konsole ablesen können. Es kann zu schwankenden Anzeigewerten kommen, wenn Sie die Pulsgriffe über eine längere Zeit halten.

BRUSTGURT MIT SENDER (SEPARAT ERHÄLTlich)

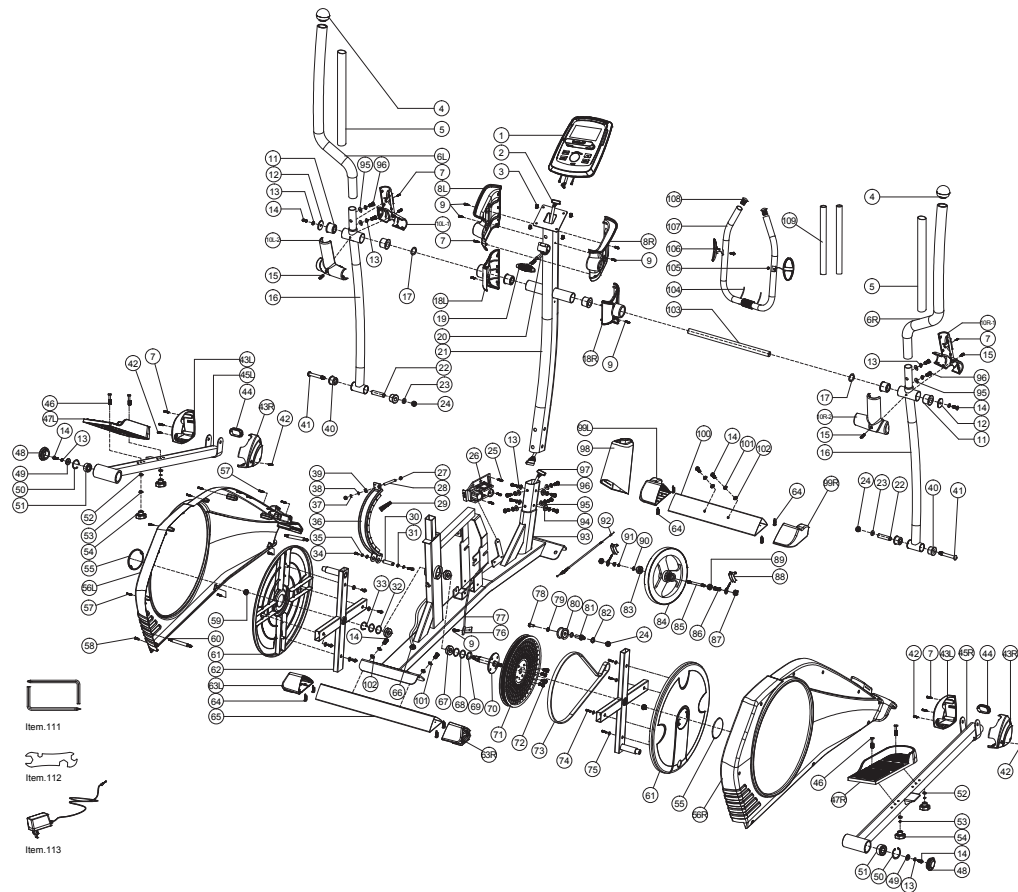
Bevor Sie den Brustgurt mit Sender anlegen, befeuchten Sie die beiden Gummielektroden mit Wasser. Zentrieren Sie den Brustgurt direkt unter der Brust oder Brustmuskulatur, direkt über Ihrem Brustbein, wobei das Logo nach außen zeigt. HINWEIS: Der Brustgurt muss eng anliegen und richtig platziert sein, um eine genaue und konsistente Anzeige zu erhalten. Wenn der Brustgurt zu locker oder falsch angelegt ist, erhalten Sie möglicherweise eine unregelmäßige oder inkonsistente Herzfrequenzanzeige.

Wenn Sie Probleme mit der Herzfrequenzfunktion haben, lesen Sie bitte die Seiten 10, 11 und 24 im Elliptical Trainer-Handbuch.

WARNUNG!

Die Herzfrequenzmessung ist keine medizinische Funktion. Verschiedene Faktoren können die Genauigkeit der Herzfrequenzmessung beeinflussen. Die Anzeige der Herzfrequenz ist nur als Trainingshilfe gedacht.

SYROS 2.0 EXPLOSIONSANSICHT



SYROS 2.0 TEILELISTE

NR.	BESCHREIBUNG	MENGE
1	COMPUTER	1
2	UPPER COMPUTER CABLE	1
3	SCREW M5X10MM	4
4	END CAP	2
5	UPPER HANDLEBAR FOAM	2
6L	UPPER HANDLEBAR LEFT	1
6R	UPPER HANDLEBAR RIGHT	1
7	SELF-TAPING SCREW	7
8L	COMPUTER PLASTIC COVER LEFT	1
8R	COMPUTER PLASTIC COVER RIGHT	1
9	SCREW M5X12MM	7
10L-1	LEFT PLASTIC COVER FRONT	1
10L-2	LEFT PLASTIC COVER BACK	1
10R-1	RIGHT PLASTIC COVER FRONT	1
10R-2	RIGHT PLASTIC COVER BACK	1
11	BUSHING	6
12	FLAT WASHER	2
13	CURVED WASHER	16
14	ALLEN BOLT	8
15	SCREW	4
16	LOWER CONNECTION TUBE	2
17	CURVED WASHER	2
18L	PLASTIC COVER FRONT	1
18R	PLASTIC COVER BACK	1
19	T SHAPE KNOB	1

NR.	BESCHREIBUNG	MENGE
20	TUBE	1
21	CONSOLE MAST	1
22	TUBE	2
23	FLAT WASHER	2
24	NUT M10	3
25	SCREW M5X15MM	3
26	MOTOR	1
27	NUT M6	2
28	STUD	1
29	CONE SPRING	1
30	IDLER SET AXLE	1
31	FLAT WASHER	2
32	FLAT WASHER	2
33	C SHAPE WASHER	1
34	HEXAGON BOLT	2
35	SPRING WASHER	2
36	MAGNET SET	1
37	PLASTIC WASHER	1
38	FLAT WASHER	1
39	HEX NUT	1
40	BUSHING	4
41	ALLEN BOLT	2
42	SCREW	4
43L	FOOTPLATE COVER LEFT	2
43R	FOOTPLATE COVER RIGHT	2

NR.	BESCHREIBUNG	MENGE
44	END CAP	2
45L	PEDAL BAR LEFT	1
45R	PEDAL BAR RIGHT	1
46	ALLEN BOLT	4
47L	FOOTPLATE LEFT	1
47R	FOOTPLATE RIGHT	1
48	END CAP	2
49	FLAT WASHER	2
50	C SHAPE WASHER	2
51	BEARING	2
52	FLAT WASHER	4
53	SPRING WASHER	4
54	HEX KNOB	4
55	DECORATION FOR ROUND COVER	2
56L	CHAIN COVER LEFT	1
56R	CHAIN COVER RIGHT	1
57	SELF-TAPING SCREW	6
58	SCREW	6
59	FLANGE NUT	2
60	CONNECTING TUBE	2
61	ROUND COVER	2
62	CRANK	2
63L	REAR END CAP LEFT	1
63R	REAR END CAP RIGHT	1
64	SELF-TAPING SCREW	8

NR.	BESCHREIBUNG	MENGE
65	REAR STABILIZER BAR	1
66	DC CABLE	1
67	BEARING	2
68	FLAT WASHER	2
69	CURVED WASHER	1
70	PEDAL AXLE	1
71	BELT WHEEL	1
72	ALLEN BOLT	4
73	BAND	1
74	SELF-TAPING SCREW	8
75	FLAT WASHER	8
76	SENSOR	1
77	SENSOR CABLE	1
78	ALLEN BOLT	1
79	FLAT WASHER	1
80	IDLER	1
81	AXLE FOR IDLER	1
82	FLAT WASHER	1
83	BEARING	1
84	FLYWHEEL	1
85	FLYWHEEL AXLE	1
86	HEX NUT	2
87	FLANGE NUT	2
88	BELT ADJUSTABLE SET	2
89	BEARING	1

SYROS 2.0 TEILELISTE

NR.	BESCHREIBUNG	MENGE
90	CURVED WASHER	3
91	C SHAPE WASHER	2
92	CABLE	1
93	FRAME	1
94	FLAT WASHER	4
95	CURVED WASHER	8
96	ALLEN BOLT	12
97	LOWER COMPUTER CABLE	1
98	MAIN POST PLASTIC COVER	1
99L	FRONT END CAP LEFT	1
99R	FRONT END CAP RIGHT	1
100	FRONT STABILIZER BAR	1
101	SPRING WASHER	4
102	FLAT WASHER	4
103	ROTATION ROD	1
104	HANDLE PULSE CABLE	2
105	SELF-TAPING SCREW	2
106	HANDLE PULSE PAD	2
107	WRENCH	1
108	END CAP	2
109	HANDLEBAR FORM	2
111	ALLEN KEY WRENCH	2
112	COMBINATION WRENCH	1
113	ADAPTER	1

EN: Waste Disposal

VISION Fitness / HORIZON Fitness / TEMPO Fitness / TREO Fitness products are recyclable. At the end of its useful life please dispose of this article correctly and safely (local refuse sites).

DE: Entsorgungshinweis

Die Produkte VISION Fitness/HORIZON Fitness/TEMPO Fitness/TREO Fitness sind recycelbar. Führen Sie das Gerät am Ende der Nutzungsdauer einer sachgerechten Entsorgung zu (örtliche Sammelstelle).

NL: Verwijderingsaanwijzing

VISION Fitness / HORIZON Fitness / TEMPO Fitness / TREO Fitness producten zijn recyclebaar. Breng het apparaat aan het einde van de gebruiksduur naar een in recycling gespecialiseerd bedrijf (plaatselijk verzamelpunt).

FR: Remarque relative à la gestion des déchets

Les produits VISION Fitness / HORIZON Fitness / TEMPO Fitness / TREO Fitness sont recyclables. Lorsque cet appareil arrive en fin de vie, veuillez l'éliminer de manière correcte et en toute sécurité en le déposant dans une déchetterie communale.

IT: Indicazione sullo smaltimento

I prodotti VISION Fitness / HORIZON Fitness / TEMPO Fitness / TREO Fitness sono riciclabili. Quando l'apparecchio non servirà più, portarlo in un apposito punto di raccolta della propria città (punti di raccolta comunali).

ES: Gestión de residuos

Los productos de VISION Fitness / HORIZON Fitness / TEMPO Fitness / TREO Fitness son reciclables. Cuando se termine su vida útil, por favor deshágase de este artículo de forma correcta y segura en un punto limpio.

PT: Descarte

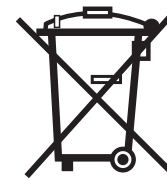
Os produtos VISION Fitness / HORIZON Fitness / TEMPO Fitness / TREO Fitness são recicláveis. No final de sua vida útil, descarte este equipamento corretamente e com segurança (sites de locais de lixo).

ChT: 廢棄物處理

VISION Fitness / HORIZON Fitness / TEMPO Fitness / TREO Fitness 產品為可回收產品。產品的使用年限期滿後，請依照正確且安全的方式處理本廢棄商品（當地的廢棄場）。

ChS: 废弃物处理

VISION Fitness / HORIZON Fitness / TEMPO Fitness / TREO Fitness 产品是可回收利用的。在其使用期结束后，请正确安全地（在本地垃圾处理场）处理本品。



BELANGRIJKE VOORZORGSMATREGELEN



BEWAAR DEZE INSTRUCTIES

Lees de ELLIPTICALGIDS voor u deze GEBRUIKERSHANDLEIDING gebruikt. Bij het gebruik van een elektrisch product dienen altijd basisvoorzorgen te worden aangehouden, inclusief de volgende: Lees alle instructies voor u deze elliptical gebruikt. De eigenaar is er verantwoordelijk voor dat alle gebruikers van deze elliptical afdoende geïnformeerd worden over alle waarschuwingen en voorzorgsmaatregelen.



WAARSCHUWING

OM HET RISICO VAN VERBRANDING, BRAND, ELEKTRISCHE SCHOKKEN OF LICHAAMELIJK LETSEL TE VERMINDEREN:

- Als u pijn ervaart, met inbegrip van - maar niet beperkt tot - pijn op de borst, misselijkheid, duizeligheid of kortademigheid, stop dan direct uw training en raadpleeg uw arts voor u verder gaat.
- Houdt altijd een comfortabel tempo aan tijdens de training. Sprint niet sneller dan 80 TPM op dit apparaat. Onjuiste of overmatige lichaamsbeweging kan letsel veroorzaken.
- Om uw evenwicht te behouden raden wij u aan de handgrepen vast te houden terwijl u traint, of het toestel op- of afstapt.
- Draai de pedaalarmen niet met de hand.
- Controleer voor ieder gebruik of de handgrepen goed vastzitten.
- Hou de bovenzijde van de voetsteun schoon en droog.
- Wees voorzichtig bij het op- en afstappen van het toestel. Beweeg het pedaal aan de kant waar u op- of afstapt naar de laagste positie en zorg dat het apparaat volledig tot stilstand is gekomen voor u op- of afstapt.
- Draag geen kleding die aan een onderdeel van de elliptical kan blijven haken.
- Draag altijd sportschoenen tijdens het gebruik van deze apparatuur.
- Spring niet op de elliptical.
- Er mag zich nooit meer dan een persoon tegelijk op de elliptical bevinden als het in gebruik is.
- Deze elliptical is uitsluitend bedoeld voor gebruik binnenshuis. Gebruik deze elliptical niet voor commerciële of verhuurdoeleinden, in scholen of instellingen. Indien u zich hier niet aan houdt zal de garantie komen te vervallen.
- Gebruik de elliptical niet op een locatie zonder temperatuurcontrole, zoals - maar niet beperkt tot - garages, veranda's, zwembadruimtes, badkamers, carports of buiten. Indien u zich hier niet aan houdt zal de garantie komen te vervallen.
- Deze elliptical voldoet aan de norm EN957-1/9, klasse elliptical: HB; remsysteem is instelbaar.
- Laat nooit voorwerpen in een opening vallen en steek nooit voorwerpen in openingen om elektrische schokken te voorkomen.
- Houd het netsnoer uit de buurt van warmtebronnen. Draag dit apparaat niet aan het netsnoer en gebruik het netsnoer niet als handvat.
- Sluit de stroomtoevoer af voordat u het apparaat onderhoudt of verplaatst. Wrijf oppervlakken alleen schoon met zeep en een licht vochtige doek; gebruik nooit oplosmiddelen. (zie ONDERHOUD)
- Gebruik geen ander toebehoren dat niet aanbevolen is door de fabrikant. Toebehoren kunnen letsel veroorzaken.
- Niet gebruiken waar aerosols (spuitbussen) worden gebruikt of als zuurstof wordt toegediend.
- Gebruik de elliptical alleen zoals beschreven in de ellipticalgids en gebruikshandleiding.
- De apparatuur dient geïnstalleerd te worden op een stabiele ondergrond.



Kinderen jonger dan 13 jaar mogen NOOIT dichterbij dan 3 meter (10 ft) bij de elliptical komen.
Kinderen jonger dan 13 jaar mogen de elliptical NOOIT gebruiken.
Kinderen ouder dan 13 of gehandicapte mensen mogen de elliptical niet gebruiken zonder toezicht van een volwassene.



Het is essentieel dat de elliptical alleen binnen gebruikt wordt, in een klimaatgecontroleerde ruimte. Als uw elliptical is blootgesteld aan koudere temperaturen of een vochtige omgeving wordt het ten zeerste aangeraden om de elliptical voor het eerste gebruik op kamertemperatuur te brengen. Indien u dit niet doet kan dit leiden tot voortijdige elektronische storingen.

AARDINGSINSTRUCTIES

Als de elliptical niet goed werkt of defect raakt, biedt de aarding de minste weerstand voor elektrische stroom om het risico van elektrische schokken te beperken. Dit product is uitgerust met een netsnoer met een aardekabel en een geaarde stekker. De stekker moet worden aangesloten op een geschikt stopcontact dat correct is geïnstalleerd en geaard in overeenstemming met alle plaatselijke voorschriften.

Een ondeskundige aansluiting van de aardleiding van de apparatuur kan elektrische schokken tot gevolg hebben. Neem contact op met een gekwalificeerde elektricien of servicemonteur als u twijfelt of het product correct is geaard. Pas de stekker die bij het product is geleverd niet aan. Als de stekker niet in het stopcontact past, dient u een geschikt stopcontact te laten installeren door een gekwalificeerde elektricien.

WAARSCHUWING

Sluit dit trainingsapparaat alleen aan op een geaard stopcontact.

Gebruik het product nooit met een beschadigd netsnoer of een beschadigde stekker, zelfs niet als het nog correct werkt. Gebruik het product nooit als het beschadigd lijkt of in water is ondergedompeld. Neem contact op met uw dealer voor vervanging of reparatie.

BASISBEDIENING



GEFELICITEERD MET UW KEUZE VOOR DEZE ELLIPTICAL!

U hebt een belangrijke stap gezet in het ontwikkelen en onderhouden van een trainingsprogramma! Uw elliptical is een enorm effectief apparaat voor het bereiken van uw persoonlijke fitnessdoelen. Regelmatig gebruik van uw elliptical kan de kwaliteit van uw leven op zoveel manieren verbeteren.

Hier zijn slechts een paar van de gezondheidsvoordelen van lichaamsbeweging:

- Gewichtsverlies
- Een gezonder hart
- Verbeterde spieren
- Meer levensenergie

De sleutel tot het bereiken van deze voordelen is het ontwikkelen van een oefengewoonte. Uw nieuwe elliptical zal u helpen bij het elimineren van obstakels die u verhinderen om te sporten. Guur weer en duisternis zullen uw training niet hinderen wanneer u uw elliptical in het comfort van uw huis gebruikt. Deze gids geeft u basisinformatie voor het gebruik en het plezier van uw nieuwe machine.



PLAATSING VAN DE ELLIPTICAL

Plaats de elliptical op een vlakke ondergrond. Wij adviseren u om ruimte rondom uw elliptical te houden (zie handleiding). Plaats de elliptical niet zodanig dat ventilatie- of luchttoevoeropeningen geblokkeerd worden.

STROOMVOORZIENING

Uw elliptical wordt gevoed door een netstroomadapter. De stroom moet worden aangesloten op de voedingsaansluiting, die zich aan de voorkant van het apparaat in de buurt van de stabilisatiestang bevindt. Sommige ellipticals hebben een schakelaar, die zich naast de stroomaansluiting bevindt. Zorg ervoor dat de schakelaar in de AAN-stand staat. LET OP: Sommige ellipticals hebben een AAN/UIT-schakelaar die zich achter de console bevindt.

⚠ WAARSCHUWING

Gebruik het product nooit als het netsnoer of de stekker beschadigd is, als het apparaat niet goed werkt, als het beschadigd is, of ondergedompeld is in water. Neem contact op met ons servicecentrum voor technische ondersteuning, reparatie of nieuwe onderdelen.

POSITIE VAN DE VOETEN

Deze elliptical biedt een verscheidenheid aan voetposities. Als u uw voet naar de meest voorwaartse positie van het voetpedaal beweegt, verhoogt u uw staphoogte, wat een gevoel geeft dat vergelijkbaar is met een stepper. Door uw voet naar de achterkant van het voetpedaal te plaatsen, wordt de staphoogte kleiner en krijgt u meer een glijdend gevoel, vergelijkbaar met een vloeiende wandeling of loopbeweging. Zorg er altijd voor dat uw hele voet op het voetpedaal is vastgezet.

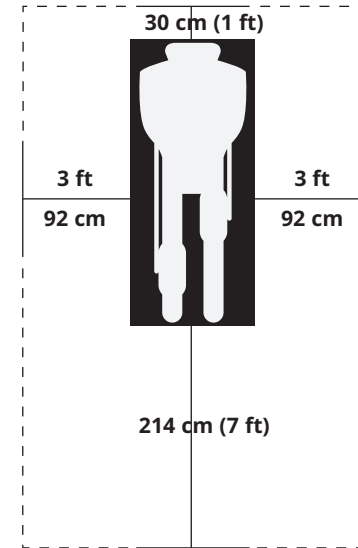
Met de elliptical kunt u naar voren en naar achteren trappen om een variatie aan uw training te bieden. U kunt zich dan richten op andere grote beenspiergroepen zoals uw hamstrings en kuiten.

TRAININGSOPTIES



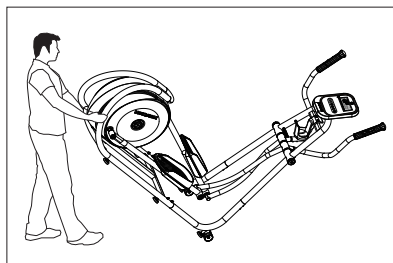
FULL BODY WORKOUT

Voor een volledige lichaamstraining duwt en trekt u voortdurend aan de dubbele actiearmen terwijl u trapt.



OPSTAPPEN

1. Ga naast de elliptical staan aan de kant waar het voetpedaal laag staat.
2. Zet uw voet op het laagste pedaal en trek uzelf aan de elliptical op terwijl u beide stationaire handgrepen vasthoudt.



DE ELLIPTICAL VERPLAATSEN

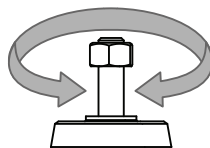
De elliptical heeft twee transportwielen ingebouwd in de voorstabilisator. Verwijder eerst de netstroomadapter en pak de achterstabilisatiestang stevig vast, kantel hem voorzichtig en laat hem rollen om hem te verplaatsen. **LET OP:** Let op: zorg dat u het stalen stang vastpakt, en niet het plastic.

WAARSCHUWING

Onze ellipticals zijn zwaar, wees voorzichtig en vraag indien nodig om hulp bij het verplaatsen. Het niet opvolgen van deze instructies kan tot letsel leiden.

WATERPAS ZETTEN VAN DE ELLIPTICAL

Voor optimaal gebruik dient de elliptical waterpas te staan. Als u de elliptical neergezet heeft waar u het wilt gaan gebruiken kunt u een of twee van de stelvoeten onderop het elliptical frame hoger of lager zetten*. We raden u aan een waterpas te gebruiken. Zodra u uw elliptical hebt gesteld, vergrendelt u de stelvoeten door de moeren tegen het frame aan te draaien. *LET OP: Sommige ellipticals hebben geen stelvoeten.



INSTELLEN HOOGTE



DE HARTSLAG-FUNCTIE GEBRUIKEN

Uw elliptical kan worden uitgerust met hartslagpulsgrepen of een duimpulssensor. Om te weten te komen wat uw model heeft, raadpleeg het begin van het MONTAGEGEDEELTE montagegedeelte van uw GEBRUIKERSHANDLEIDING.

De hartslagfunctie op dit product is geen medisch hulpmiddel. Hoewel de hartslaggrepen of duimpulssensor een relatieve schatting van uw werkelijke hartslag kunnen geven, kunt u er niet op vertrouwen als nauwkeurige metingen nodig zijn. Sommige mensen, waaronder mensen in een hartrevalidatieprogramma, kunnen baat hebben bij het gebruik van een alternatief hartslagmonitoringsysteem, zoals een borst- of polsbandje. Verschillende factoren, waaronder de beweging van de gebruiker, kunnen de nauwkeurigheid van uw hartslagmeting beïnvloeden. De hartslagmeting is alleen bedoeld als hulp bij de training om algemene fluctuaties in hartslag te kunnen bepalen. Raadpleeg alstublieft uw arts.

POLSSLAG-GREPEN

Plaats de palm van uw handen direct op de polsslag-grepen. Beide handen moeten de grepen vasthouden om uw hartslag te registreren. Het duurt 5 opeenvolgende hartslagen (15-20 seconden) voordat uw hartslag geregistreerd wordt. Houd de polsslag-grepen niet te stevig vast. Als u de handgrepen te stevig vasthoudt, kan uw bloeddruk stijgen. Houd een losse, ontspannen greep. U kunt een onregelmatige uitlezing krijgen als u de polsslag-grepen te strak vasthoudt. Reinig de pulssensoren om een goed contact te waarborgen.

LET OP

Druk niet te hard op de sensor, want dit kan schade veroorzaken.

MONTAGE



WAARSCHUWING

Er zijn verschillende stappen tijdens het montageproces waarbij speciale aandacht vereist is. Het is zeer belangrijk dat u de montageinstructies goed opvolgt en dat u alle onderdelen goed vastdraait. Als de montageinstructies niet goed worden gevolgd, kan het zijn dat bepaalde onderdelen van de elliptical niet goed worden vastgedraaid. Dit kan leiden tot bijgeluiden. Om schade aan de elliptical te voorkomen dienen de montageinstructies te worden doorgenomen en corrigerende maatregelen te worden genomen.

Zoek voor u verder gaat het serienummer van de elliptical op de barcode-sticker aan de voorstabilisator. Voer het nummer hieronder in. Zoek ook de modelnaam op die naast het serienummer staat.

VUL UW SERIENUMMER EN MODELNAAM IN DE ONDERSTAANDE VAKKEN IN:

SERIENUMMER:

--	--	--	--	--	--	--	--	--	--	--	--	--	--	--	--	--	--	--	--

MODELNAAM:

--	--	--	--	--	--	--	--	--	--	--	--	--	--	--	--	--	--	--	--



BOVENGREEP

POLSSLAG-GREPEN

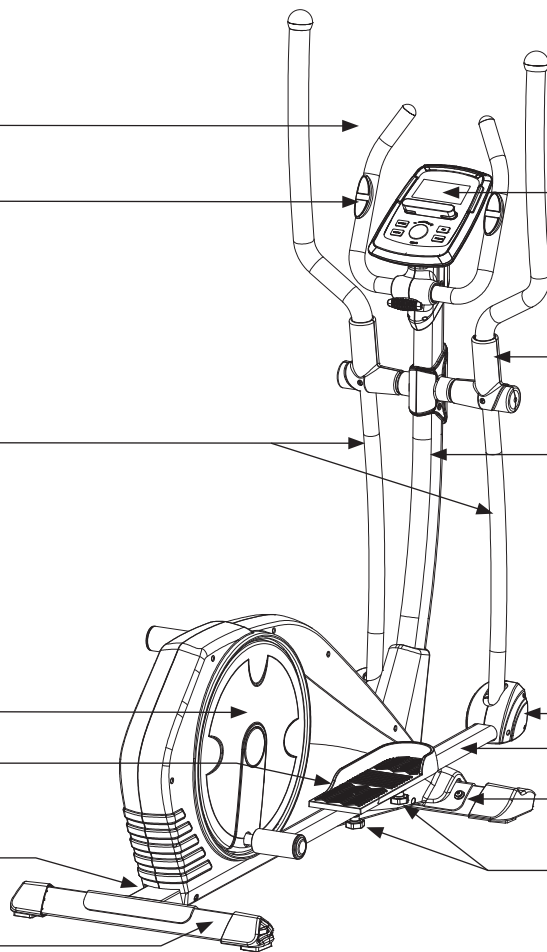
ONDERGREEP

CRANKAFDEKKING

VOETSTEUN

STROOMAANSLUITING

ACHTERSTABILISATOR



CONSOLE

BOVENGREEPAFDEKKING

CONSOLEMAST

CONSOLEMASTSCHOEN

PEDAALARM

VOORSTABILISATOR

PEDAALVERSTELLING

MEEGELEVERD GEREEDSCHAP:

- 5 mm L sleutel
- Moersleutel

MEEGELEVERDE ONDERDELEN:

- 1 Hoofdframe
- 1 Voorstabilisator
- 1 Achterstabilisator
- 1 Console
- 1 Consolemast
- 1 Consolemastschoen
- 2 Bovengrepen
- 2 Ondergrepen
- 2 Bovenste greepafdekkingen
- 2 Pedalen
- 2 Pedaalarmen
- 1 Netsnoer
- 1 Set montagemateriaal

VOOR MONTAGE

UITPAKKEN

Pak het toestel uit waar u het gaat gebruiken. Zet de doos van de elliptical op een vlakke ondergrond. We raden u aan uw vloer ergens mee te beschermen. Open de doos nooit als deze op zijn kant ligt.

WAARSCHUWING

- Voor het gemak en de efficiëntie bij het monteren, is het aan te raden dat de elliptical met twee mensen wordt gemonteerd.
- Controleer tijdens iedere stap van de montage of ALLE bouten en moeren op de juiste plek zitten en deels zijn aangedraaid. Het wordt aanbevolen om de volledige montage van het apparaat te voltooien voordat u de bouten volledig vastdraait.
- Verschillende onderdelen zijn vooraf gesmeerd om montage en gebruik te vergemakkelijken. Veeg dit alstublieft niet weg. Als u moeilijkheden ondervindt raden wij u aan wat lithiumvet aan te brengen.

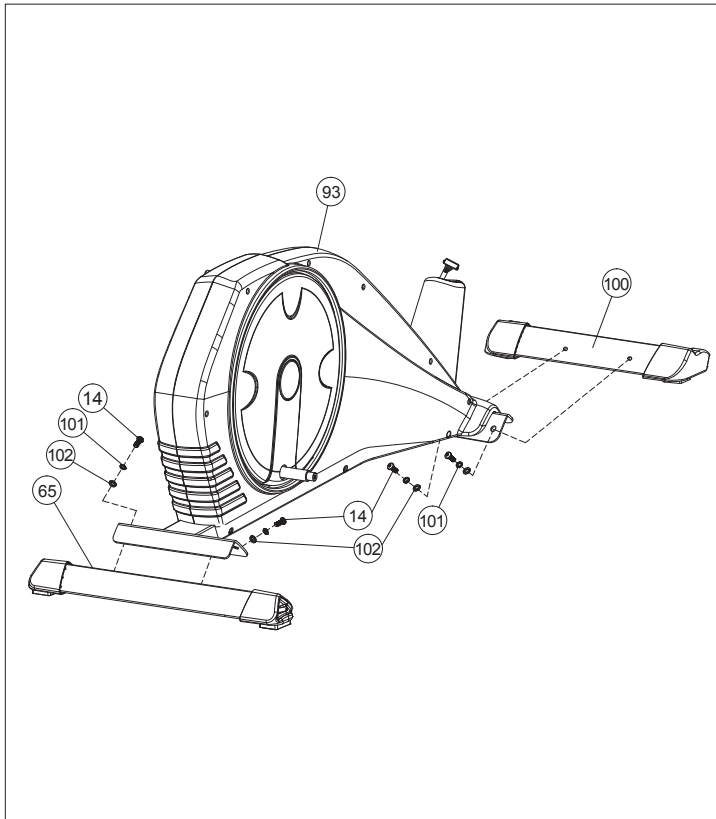
HULP NODIG?

Als u vragen hebt of onderdelen mist kunt u contact opnemen met de Technische Klantenservice.





MONTAGE STAP 1

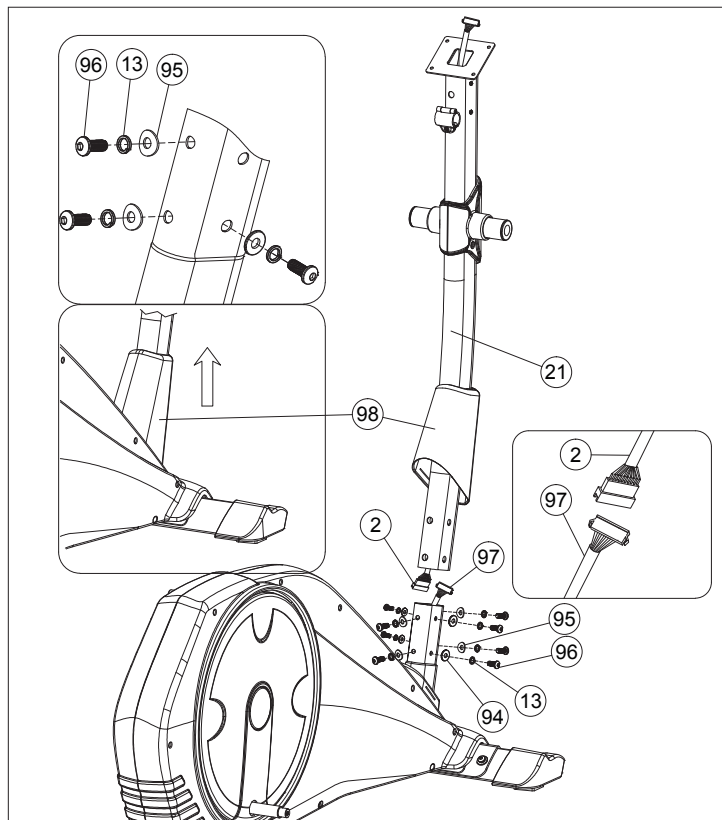


MONTAGEMATERIAAL:

	BOUW (14) M8 X 20 AANTAL: 4		VEERRING (101) Φ8 AANTAL: 4
	SLUITRING (102) Φ8 X Φ20 X 2,5T AANTAL: 4		

- A Bevestig de **ACHTERSTABILISATOR** (65) aan het **HOOFDFRAME** (93) met 2 **BOUTEN** (14) & **RINGEN** (101 & 102).
- B Bevestig de **VOORSTABILISATOR** (100) aan het **HOOFDFRAME** (93) met 2 **BOUTEN** (14) & **RINGEN** (101 & 102).

MONTAGE STAP 2



LET OP: Er is montage materiaal nodig bij deze stap.

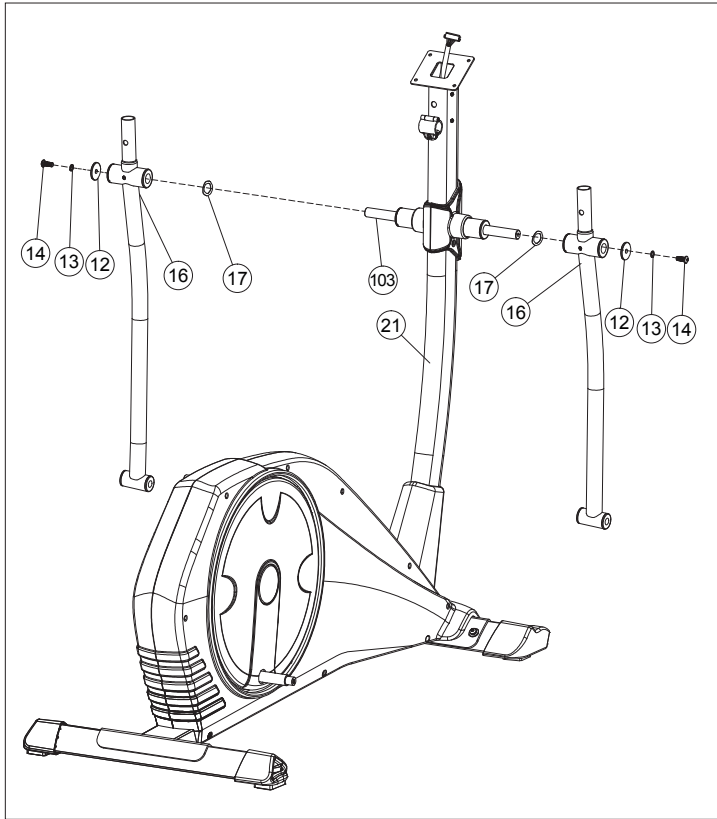
- A Schuif de **CONSOLEMASTSCHOEN** (98) vanaf de onderkant in de **CONSOLEMAST** (21).
- B Bevestig de **CONSOLEKABELS** (2 & 97) en werk de kabels voorzichtig in het **HOOFDFRAME** (93).
- C Schuif de **CONSOLEMAST** (21) in het **HOOFDFRAME** (93) met de 4 **VOORGEMONTEERDE BOUTEN** (96), 4 **VOORGEMONTEERDE VEERRINGEN** (13), 4 **VOORGEMONTEERDE SLUITRINGEN** (94) van de linker- en rechterzijde en 4 **VOORGEMONTEERDE BOUTEN** (96), 4 **VOORGEMONTEERDE VEERRINGEN** (13), 4 **VOORGEMONTEERDE VEERRINGEN** (95) van de voor- en achterzijde.

LET OP: Zorg dat er geen kabels beklemd raken als u de consolemast bevestigt.





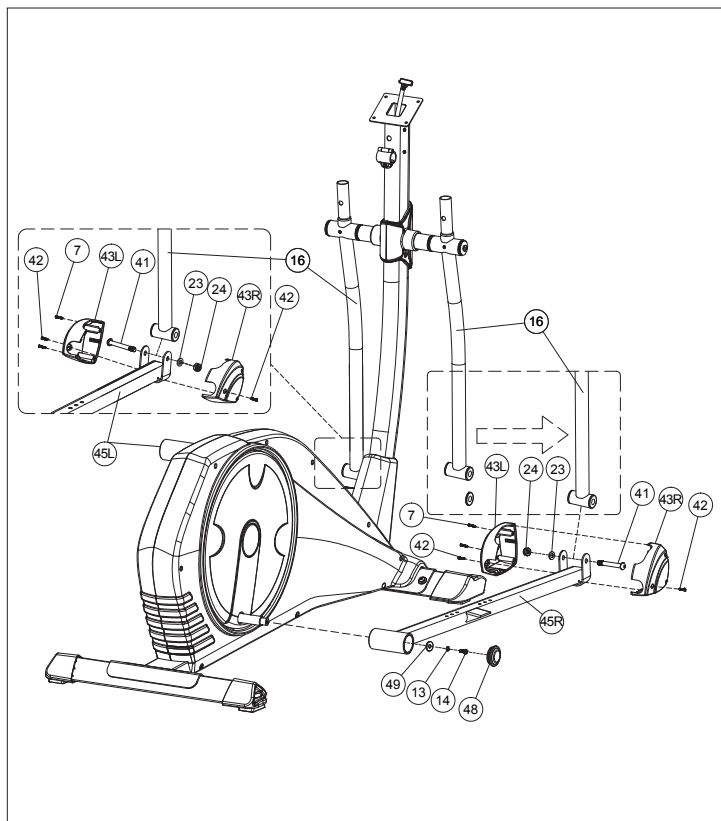
MONTAGE STAP 3










LET OP: Er is montagemateriaal nodig bij deze stap.

- A Schuif de **AS** (103) voorzichtig door de **CONSOLEMAST** (21).
- B Bevestig de **ONDERGREEP** (16) aan de **CONSOLEMAST** (21) met de 1 **VOORGEMONTEERDE BOUT** (14), 1 **VOORGEMONTEERDE SLUITRING** (12), 1 **VOORGEMONTEERDE GEGOLFDE VEERING** (13) & 1 **VOORGEMONTEERDE GOLFRING** (17).
- C Herhaal de stappen B aan de andere kant.

MONTAGE STAP 4



MONTAGEMATERIAAL:

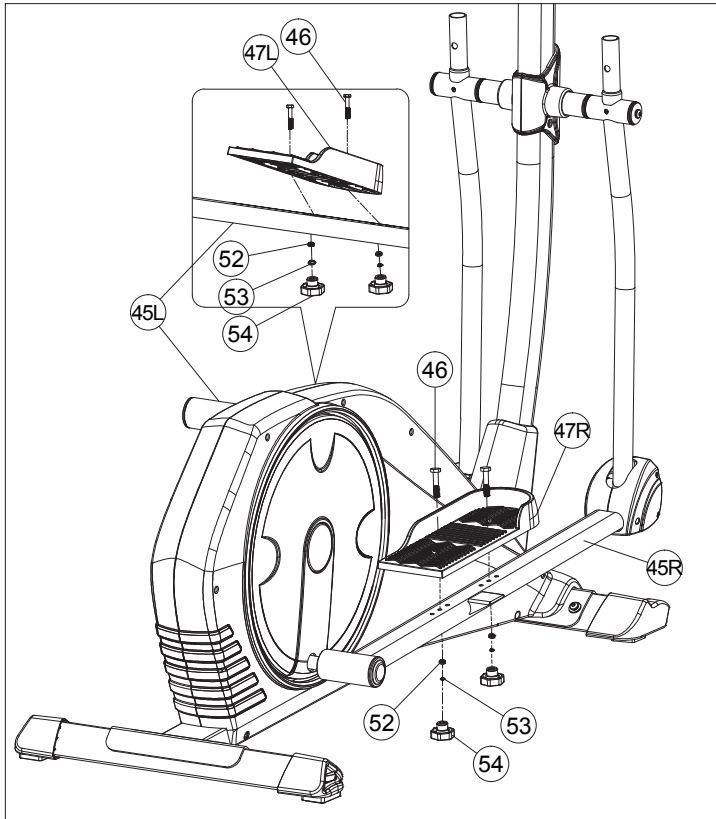
	BOUT (14) M8 X 20 AANTAL: 2		BOUT (41) M10 X 78 AANTAL: 2
	SLUITRING (23) Φ10 X Φ19 X 2T AANTAL: 2		MOER (24) M10 AANTAL: 2
	SLUITRING (49) Φ8 X Φ21 X 2T AANTAL: 2		EINDKAP (48) AANTAL: 2
	GEGOLFDE VEERRING (13) Φ8 AANTAL: 2		

- A Schuif de **PEDAALARM** (45R) op de **CRANK** met 1 **SLUITRING** (49), 1 **GEGOLFDE VEERRING** (13), 1 **BOUT** (14) & 1 **EINDKAP** (48).
- B Lijn het tegenoverliggende deel van de **PEDAALARM** (45R) uit met de onderkant van de **ONDERGRIEP** (16), bevestig met 1 **BOUT** (41), 1 **SLUITRING** (23) en 1 **MOER** (24).
- C Bevestig de **PEDAALARMAFDEKING** (43R & 43L) van beide zijden van de **PEDAALARM** (45R) met 2 **VOORGEMONTEERDE BOUTEN** (42) en 2 **VOORGEMONTEERDE SCHROEVEN** (7).









MONTAGE STAP 5

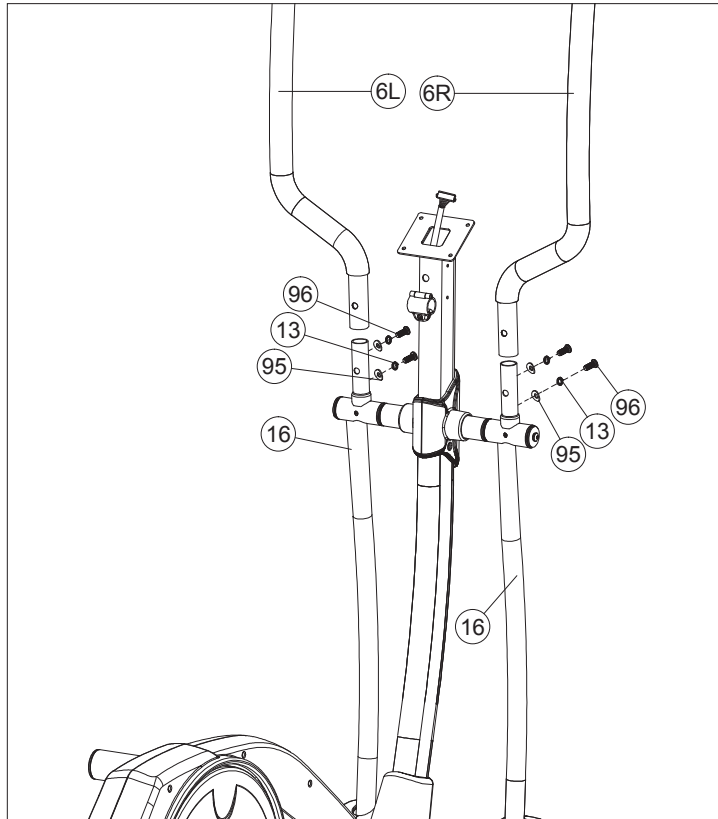


MONTAGEMATERIAAL:




	BOUW (46) M8 X 50 AANTAL: 4		PEDAALKNOP (54) M8 AANTAL: 4
	VEERING (53) Φ8 AANTAL: 4		SLUITRING (52) Φ8,5 X Φ16 X 2T AANTAL: 4

- A Bevestig het **PEDAAL** (47R) aan de **PEDAALARM** (45R) met 2 **BOUTEN** (46), 2 **SLUITRINGEN** (52), 2 **VEERINGEN** (53) en 2 **PEDAALKNOPPEN** (54).
- B Herhaal aan de andere kant.

MONTAGE STAP 6



MONTAGEMATERIAAL:

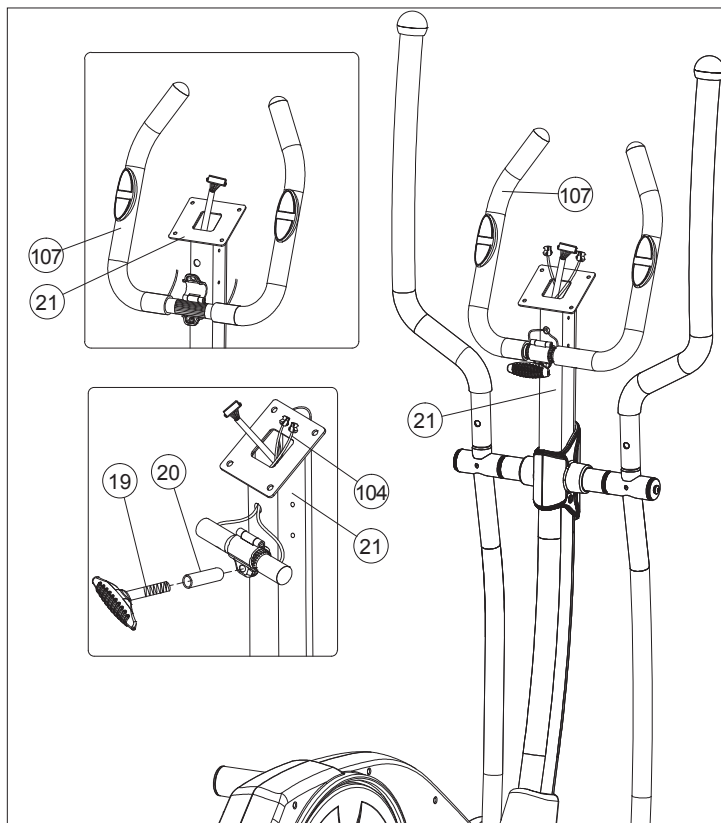
- | | | | |
|--|-----------------------------------|---|---|
|  | BOUT (96)
M8 X 20
AANTAL: 4 |  | GEGOLFDE
VEERRING (95)
Φ8 X Φ19 X 1,5T
AANTAL: 4 |
|  | VEERRING (13)
Φ8
AANTAL: 4 | | |

- A Schuif de **BOVENGREEP** (6R) op de **ONDERGREEP** (16) en bevestig deze met 2 **BOUTEN** (96), 2 **GEGOLFDE VEERRINGEN** (95) en 2 **VEERRINGEN** (13).
- B Herhaal A aan de andere kant.






MONTAGE STAP 7



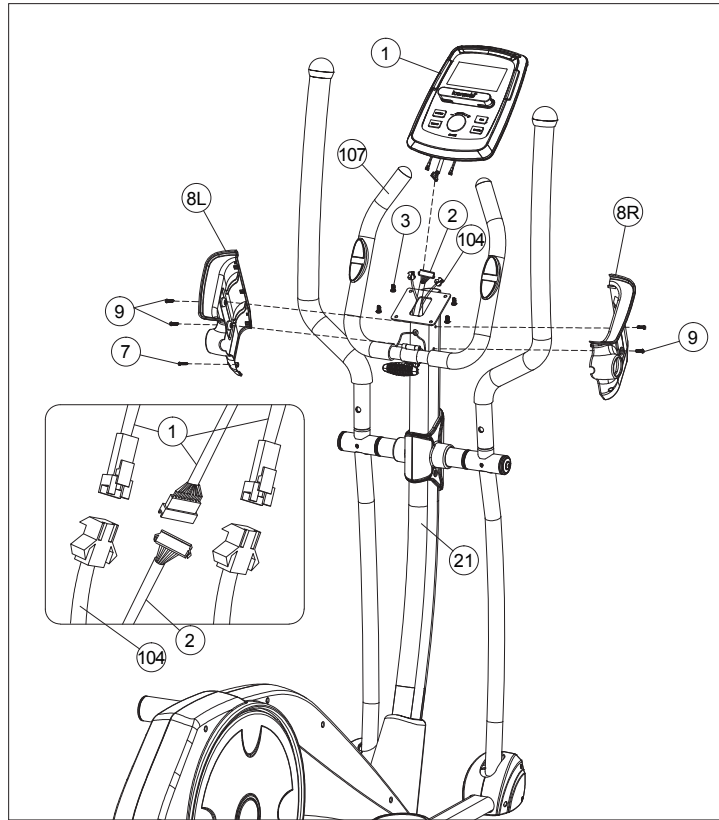
MONTAGEMATERIAAL:

 BUS (20)
Φ8 X Φ13 X 35
AANTAL: 1

 T KNOP (19)
M8 X 64 X 32
AANTAL: 1

- A Breng de **HANGREEPKABELS** (104) door het gat in de **CONSOLEMAST** (21) en daarna uit de bovenkant van de **CONSOLEMAST** (21).
- B Bevestig de **HANDGREEP** (107) aan de **CONSOLEMAST** (21) met de 1 **BUS** (20) en 1 **T KNOP** (19).

MONTAGE STAP 8



MONTAGEMATERIAAL:



BOUT (7)
M4 X 15
AANTAL: 1

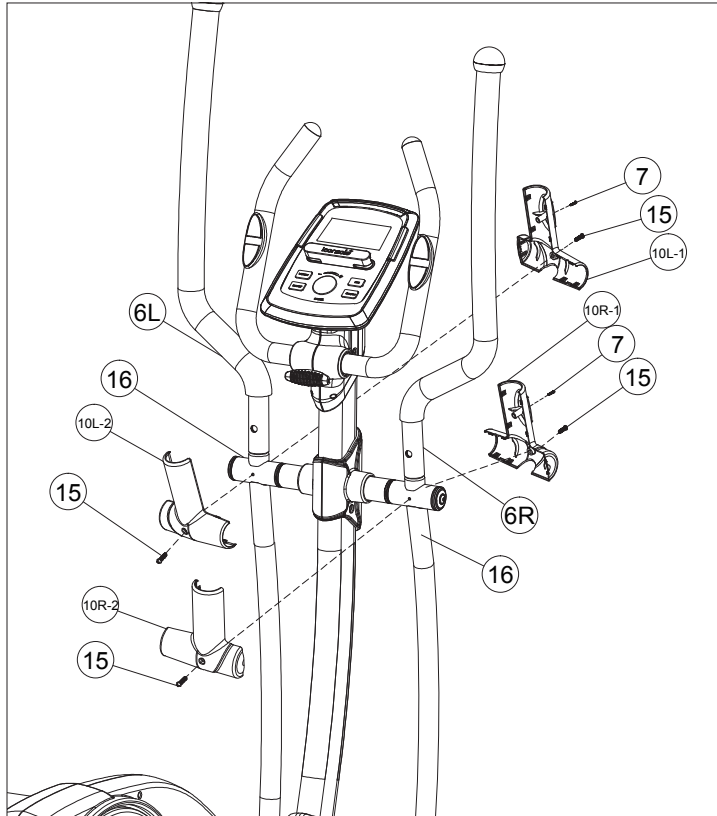
- A Verbind de **CONSOLEKABELS** (1 & 2 & 104) en breng de **CONSOLEKABELS** (1 & 2 & 104) voorzichtig in de **CONSOLEMAST** (21).
- B Bevestig de **CONSOLE** (1) aan de **CONSOLEMAST** (21) met de 4 **VOORGEMONTEERDE BOUTEN** (3).
- C Bevestig de **LINKER & RECHTER CONSOLEMASTAFDEKkingEN** (8R & 8L) aan de **CONSOLEMAST** (21) met de 4 **VOORGEMONTEERDE**

LET OP: Zorg dat er geen kabels beklemd raken als u de console bevestigt.





MONTAGE STAP 9



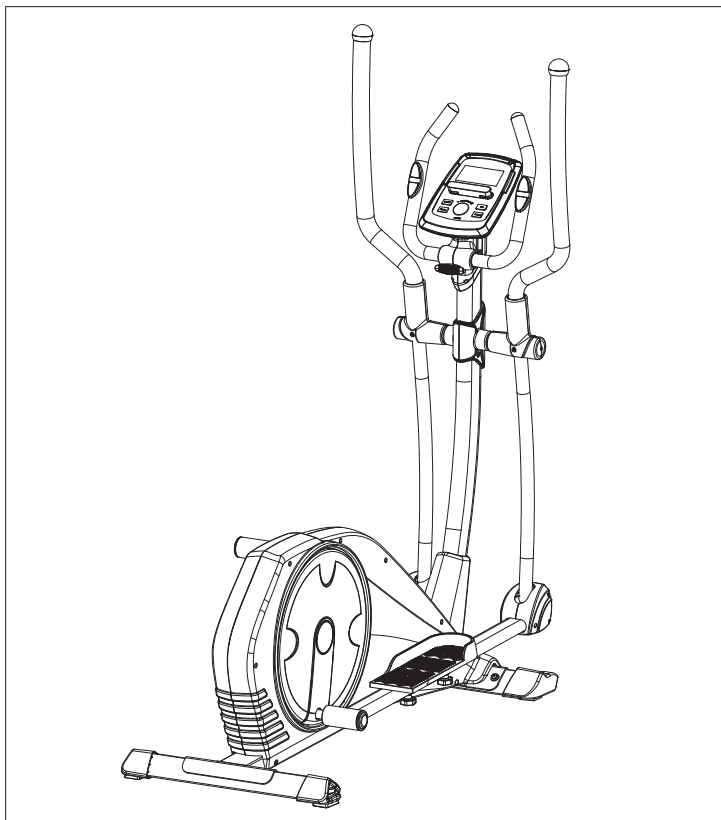
MONTAGEMATERIAAL:

 BOUT (7)
M4 X 15
AANTAL: 2

 BOUT (15)
M5 X 12
AANTAL: 4

- A Bevestig de **GREEPAFDEKKINGEN** (10R-1 & 10R-2) vanaf de zijkant met 1 **VOORGEMONTEERDE BOUT** (15) en 1 **BOUT** (7) en achterzijde met 1 **VOORGEMONTEERDE BOUT** (15).
- B Herhaal A aan de andere kant.
- C Sluit de **NETSTROOMADAPTER** aan.

MONTAGE STAP 10



MONTAGE VOLTOOID!



SYROS 2.0

Max. gewicht gebruiker: 150 kg/ 330 lbs.

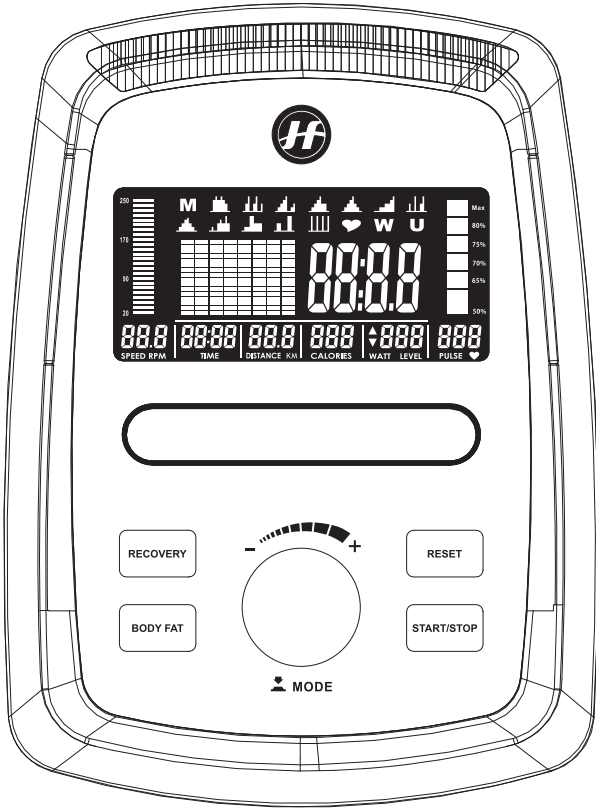
Totale afmetingen: 153 x 63 x 163 cm / 60,2" x 24,8" x 64,2"

GEBRUIK VAN DE ELLIPTICAL



Dit hoofdstuk geeft uitleg over het gebruik van de console en programmering van de elliptical.
Voor de basisbediening zie de ELLIPTICAL-GIDS.

SYROS 2.0 CONSOLE DISPLAY



SYROS 2.0 CONSOLEDISPLAY

A) INTELLIGENT WIEL

Draaien om programma's te selecteren, weerstandsniveau in te stellen en trainingsnummers in te stellen. Druk om de te bevestigen.

B) RESET-KNOP

Houd deze knop 2 seconden ingedrukt om de console opnieuw te starten.

C) START/STOP-KNOP

Start of stop training.

D) HERSTEL-KNOP

Test hartslagherstelstatus.

E) BODY FAT-KNOP

Test lichaamsvet % en BMI.

F) REK

Opbergplaats voor telefoon of tablet.

G) LCD-DISPLAY

Snelheid, toerental, tijd, afstand, calorieën, watt, hartslag.



SYROS 2.0 CONSOLE-BEDIENING



INVOER PERSOONLIJKE GEGEVENS

Draai de intelligent drive om U1~U4, de set SEX (geslacht), AGE (leeftijd), HEIGHT (lengte), WEIGHT (gewicht) te selecteren en druk op de drive om te bevestigen.

START DE TRAINING

Draai de intelligent drive om de training te kiezen.



M_{HANDMATIG}

Gebruik de intelligent drive om het programma in het hoofdmenu te selecteren en druk om te bevestigen. Druk op de START/STOP-knop om de training te starten.

VOORINGESTELDE PROGRAMMA'S



Er zijn 12 vooraf ingestelde programma's. Gebruik de intelligent drive om te selecteren in het hoofdmenu en druk om te bevestigen. Druk op de START/STOP-knop om de training te starten.



HRC

Gebruik de intelligent drive om het programma in het hoofdmenu te selecteren en druk op enter. Kies 55%, 75%, 90% of TAG (target heart rate, 100%) druk op de START/STOP-knop om de training te starten.



WATT

Gebruik de intelligent drive om het programma in het hoofdmenu te selecteren en druk op enter. Stel het WATT-doel en de tijd in. Druk op de START/STOP-knop om de training te starten.



GEBRUIKERSPROGRAMMA

Gebruik de intelligent drive om het programma in het hoofdmenu te selecteren en druk op enter. Creëer aangepaste weerstandstraining en trainingstijd. Druk op de START/STOP-knop om de training te starten.

HERSTEL

Houd na een periode van trainen de handgrepen of de hartslagband vast en druk op de RECOVERY-knop (herstel). Alle functieweergave stopt, behalve de tijd die afgeteld wordt van 60 naar 0 seconden. Vervolgens toont het display de herstelstatus van de hartslag van F1, F2....naar F6. F1 is de beste herstelstatus.

LICHAAMSVET

Druk in de STOP-modus op de BODY FAT-knop (lichaamsvet) om de meting te starten. De console toont U1 of U2 of U3 of U4 basis op verschillende gebruikersprofielen en begint te meten. Het lcd-display geeft de BMI, FAT % en het BODY FAT-adviesymbool weer na de meting.

- *Het is noodzakelijk om beide handen op de handgreep te houden tijdens de gegevensmeting.
- *Het duurt 8 seconden om de resultaten te krijgen

ENERGIESPAARSTAND

Als gedurende 4 minuten de pedalen niet bewegen of als er geen hartslag is ontvangen, komt de console in de energiespaarstand. Druk op een willekeurige knop om de console wakker te maken.



HET MONITOREN VAN UW HARTSLAG



FEEDBACK

Uw Horizon Fitness elliptical-trainer biedt twee opties voor hartslagfeedback. U kunt ervoor kiezen om de hartslaghandgreep te gebruiken, of de borstkaszender (apart verkrijgbaar) voor een handsfree-training.

HARTSLAGHANDGREEP

Plaats de palm van uw handen direct op de hartslaghandgreep. Beide handen moeten de grepen vasthouden om uw hartslag te registreren. Houd de handgrepen niet te stevig vast. Als u de handgrepen te stevig vasthoudt, kan uw bloeddruk stijgen. Probeer matige druk uit te oefenen terwijl u de hartslaghandgrepen vasthoudt. Het wordt aanbevolen dat u de handgrepen alleen zo lang vasthoudt als nodig is om uw hartslag uit te lezen op de console. U kunt een onregelmatige uitlezing krijgen als u de grepen te strak vasthoudt.

TELEMETRISCHE BORSTKASZENDER (AFZONDERLIJK VERKRIJGBAAR)

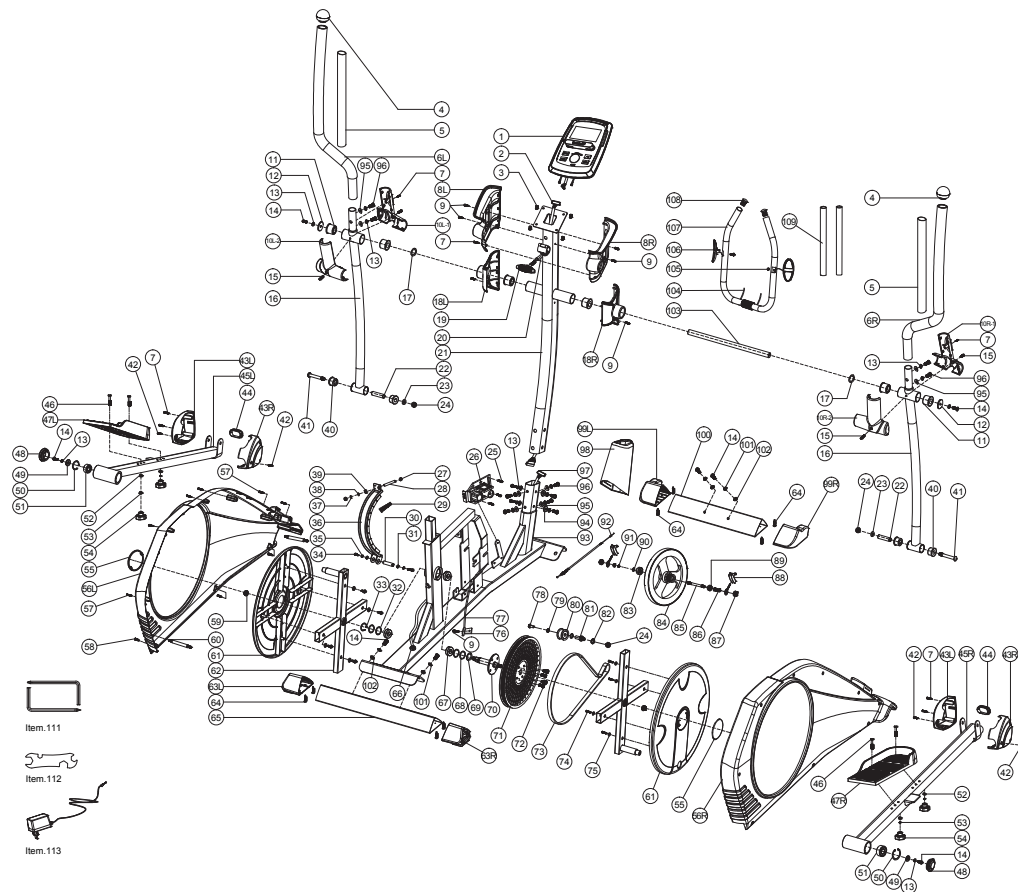
Voordat u de borstkaszender op uw borst draagt, bevochtigt u de twee rubberen elektroden met water. Centreer de borstband net onder de borst- of borstspieren, direct op het borstbeen, met het logo naar buiten. LET OP: De borstband moet strak en goed geplaatst zijn om een nauwkeurige en consistente aflezing te krijgen. Als de borstband te los zit of verkeerd is geplaatst, kan het zijn dat u een onregelmatige of inconsistente hartslagaflezing krijgt.

Als u problemen heeft met de hartslagfunctie, raadpleeg dan pagina's 10, 11 en 24 in de ellipticalgids.

WAARSCHUWING!

De hartslagfunctie is geen medisch hulpmiddel. Verschillende factoren kunnen de nauwkeurigheid van uw hartslagmeting beïnvloeden. De hartslagmeting is alleen bedoeld als hulp bij de training.

SYROS 2.0 ONDERDELENDIAGRAM



SYROS 2.0 ONDERDELENLIJST

NR.	OMSCHRIJVING	AANTAL
1	COMPUTER	1
2	BOVEN COMPUTERKABEL	1
3	SCHROEF M5X10MM	4
4	EINDKAP	2
5	BOVENGREEPSCHUIM	2
6L	BOVENGREEP LINKS	1
6R	BOVENGREEP RECHTS	1
7	ZELFTAPPENDE SCHROEF	7
8L	KUNSTSTOF COMPUTERAFDEKKING LINKS	1
8R	KUNSTSTOF COMPUTERAFDEKKING RECHTS	1
9	SCHROEF M5X12MM	7
10L-1	KUNSTSTOF AFDEKKING LINKS VOOR	1
10L-2	KUNSTSTOF AFDEKKING LINKS ACHTER	1
10R-1	KUNSTSTOF AFDEKKING RECHTS VOOR	1
10R-2	KUNSTSTOF AFDEKKING RECHTS ACHTER	1
11	BUS	6
12	SLUITRING	2
13	GEKROMDE RING	16
14	BINNENZESKANTBOUT	8
15	SCHROEF	4
16	VERBINDINGSBUIS ONDER	2
17	GEKROMDE RING	2
18L	KUNSTSTOF AFDEKKING VOOR	1
18R	KUNSTSTOF AFDEKKING ACHTER	1
19	T-KNOP	1

NR.	OMSCHRIJVING	AANTAL
20	BUIS	1
21	CONSOLEMAST	1
22	BUIS	2
23	SLUITRING	2
24	MOER M10	3
25	SCHROEF M5X15MM	3
26	MOTOR	1
27	MOER M6	2
28	PEN	1
29	CONUSVEER	1
30	VRIJLOOP-AS SET	1
31	SLUITRING	2
32	SLUITRING	2
33	C-RING	1
34	ZESKANTBOUT	2
35	VEERRING	2
36	MAGNEETSET	1
37	KUNSTSTOF RING	1
38	SLUITRING	1
39	ZESKANTMOER	1
40	BUS	4
41	BINNENZESKANTBOUT	2
42	SCHROEF	4
43L	VOETPLAATAFDEKKING LINKS	2
43R	VOETPLAATAFDEKKING RECHTS	2

NR.	OMSCHRIJVING	AANTAL
44	EINDKAP	2
45L	PEDAALSTANG LINKS	1
45R	PEDAALSTANG RECHTS	1
46	BINNENZESKANTBOUT	4
47L	VOETPLAAT LINKS	1
47R	VOETPLAAT RECHTS	1
48	EINDKAP	2
49	SLUITRING	2
50	C-RING	2
51	LAGER	2
52	SLUITRING	4
53	VEERING	4
54	HEX-KNOP	4
55	DECORATIE VOOR RONDE AFDEKKING	2
56L	KETTINGAFDEKKING LINKS	1
56R	KETTINGAFDEKKING RECHTS	1
57	ZELFTAPPENDE SCHROEF	6
58	SCHROEF	6
59	FLENSMOER	2
60	VERBINDINGSBUIJS	2
61	RONDE AFDEKKING	2
62	CRANK	2
63L	ACHTERKAP LINKS	1
63R	ACHTERKAP RECHTS	1
64	ZELFTAPPENDE SCHROEF	8

NR.	OMSCHRIJVING	AANTAL
65	ACHTERSTABILISATIESTANG	1
66	DC-KABEL	1
67	LAGER	2
68	SLUITRING	2
69	GEKROMDE RING	1
70	PEDAALAS	1
71	RIEMWIEL	1
72	BINNENZESKANTBOUT	4
73	RIEM	1
74	ZELFTAPPENDE SCHROEF	8
75	SLUITRING	8
76	SENSOR	1
77	SENSORKABEL	1
78	BINNENZESKANTBOUT	1
79	SLUITRING	1
80	VRIJLOOP	1
81	AS VOOR VRIJLOOP	1
82	SLUITRING	1
83	LAGER	1
84	VLIEGWIEL	1
85	VLIEGWIELAS	1
86	ZESKANTMOER	2
87	FLENSMOER	2
88	VERSTELBARE RIEM SET	2
89	LAGER	1

SYROS 2.0 ONDERDELENLIJST

NR.	OMSCHRIJVING	AANTAL
90	GEKROMDE RING	3
91	C-RING	2
92	KABEL	1
93	FRAME	1
94	SLUITRING	4
95	GEKROMDE RING	8
96	BINNENZESKANTBOUT	12
97	ONDERSTE COMPUTERKABEL	1
98	KUNSTSTOF AFDEKKING VOORZIJDE	1
99L	VOORKAP LINKS	1
99R	VOORKAP RECHTS	1
100	VOORSTABILISATOR	13
101	VEERRING	4
102	SLUITRING	4
103	DRAAISTANG	1
104	HANDGREPPULSKABEL	2
105	ZELFTAPPENDE SCHROEF	2
106	HANDGREPPULSPAD	2
107	SLEUTEL	1
108	EINDKAP	2
109	HANDGREEP VORM	2
111	BINNENZESKANTSLEUTEL	2
112	COMBINATIETANG	1
113	ADAPTER	1

NL: Afvalverwijdering

VISION Fitness-/HORIZON Fitness-/TEMPO Fitness-/TREO Fitnessproducten kunnen gerecycled worden.
At the end of its useful life please dispose of this article correctly and safely (local refuse sites).

Ger: Entsorgungshinweis

Die Produkte VISION Fitness/HORIZON Fitness/TEMPO Fitness/TREO Fitness sind recycelbar.
Führen Sie das Gerät am Ende der Nutzungsdauer einer sachgerechten Entsorgung zu (örtliche Sammelstelle).

Dut: Verwijderingsaanwijzing

VISION Fitness / HORIZON Fitness / TEMPO Fitness / TREO Fitness producten zijn recyclebaar. Breng het apparaat aan het einde van de gebruiksduur naar een in recycling gespecialiseerd bedrijf (plaatselijk verzamelpunt).

Fre: Remarque relative à la gestion des déchets

Les produits VISION Fitness / HORIZON Fitness / TEMPO Fitness / TREO Fitness sont recyclables. Lorsque cet appareil arrive en fin de vie, veuillez l'éliminer de manière correcte et en toute sécurité en le déposant dans une déchetterie communale.

Ita: Indicazione sullo smaltimento

I prodotti VISION Fitness / HORIZON Fitness / TEMPO Fitness / TREO Fitness sono riciclabili. Quando l'apparecchio non servirà più, portarlo in un apposito punto di raccolta della propria città (punti di raccolta comunali).

Spe: Gestión de residuos

Los productos de VISION Fitness / HORIZON Fitness / TEMPO Fitness / TREO Fitness son reciclables.
Cuando se termine su vida útil, por favor deshágase de este artículo de forma correcta y segura en un punto limpio.

Prb: Descarte

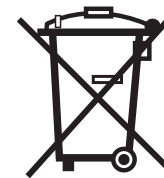
Os produtos VISION Fitness / HORIZON Fitness / TEMPO Fitness / TREO Fitness são recicláveis.
No final de sua vida útil, descarte este equipamento corretamente e com segurança (sites de locais de lixo).

ChT: 廢棄物處理

VISION Fitness / HORIZON Fitness / TEMPO Fitness / TREO Fitness 產品為可回收產品。
產品的使用年限期滿後，請依照正確且安全的方式處理本廢棄商品（當地的廢棄場）。

ChS: 废弃物处理

VISION Fitness / HORIZON Fitness / TEMPO Fitness / TREO Fitness 产品是可回收利用的。
在其使用期结束后，请正确安全地（在本地垃圾处理场）处理本品。



PRÉCAUTIONS IMPORTANTES



CONSERVEZ CES INSTRUCTIONS

Lisez le guide de cet ELLIPTIQUE avant d'utiliser le MANUEL DU PROPRIÉTAIRE. Lors de l'utilisation d'un produit électrique, des précautions de base doivent toujours être respectées, notamment les suivantes : Lisez toutes les instructions avant d'utiliser cet elliptique. Il incombe au propriétaire de s'assurer que tous les utilisateurs de cet elliptique sont correctement informés de tous les avertissements et de toutes les précautions.



AVERTISSEMENT

POUR RÉDUIRE LE RISQUE DE BRÛLURE, D'INCENDIE, DE CHOC ÉLECTRIQUE OU DE BLESSURE :

- Si vous ressentez une douleur quelconque, notamment des douleurs à la poitrine, des nausées, des étourdissements ou un essoufflement, arrêtez immédiatement de faire l'exercice et consultez votre médecin avant de continuer.
- Lors de l'exécution de tout exercice, maintenez toujours un rythme confortable. Ne sprintez pas à plus de 80 rotations par minute sur cette machine. Un exercice incorrect ou excessif peut nuire à votre santé.
- Pour garder l'équilibre, il est recommandé de tenir le guidon fermement pendant l'entraînement ainsi qu'en montant sur la machine ou en descendant.
- Ne tournez pas les bras de la pédale à la main.
- Assurez-vous que le guidon est bien fixé avant chaque utilisation.
- Gardez le dessus du support de pied propre et sec.
- Des précautions doivent être prises en montant sur l'équipement ou en descendant. Avant de monter ou de descendre, placez la pédale du côté montée ou descente dans sa position la plus basse et arrêtez complètement la machine.
- Ne portez pas de vêtements susceptibles de se coincer sur une partie quelconque de l'elliptique.
- Portez toujours des chaussures de sport lorsque vous utilisez cet équipement.
- Ne sautez pas sur l'elliptique.
- À aucun moment, plus d'une personne ne doit être sur l'elliptique pendant son fonctionnement.
- Cet elliptique est destiné à un usage domestique uniquement. N'utilisez pas cet elliptique dans un environnement commercial, locatif, scolaire ou institutionnel. Si vous ne vous conformez pas à ces instructions, la garantie sera annulée.
- N'utilisez pas l'elliptique dans un endroit où la température n'est pas contrôlée, comme par exemple, les garages, les vérandas, les salles de billard, les salles de bain, les abris de voiture ou à l'extérieur. Si vous ne vous conformez pas à ces instructions, la garantie sera annulée.
- Cet elliptique est conforme à la norme EN957-1/9, classe d'elliptique : HB ; le système de freinage est réglable.
- Pour éviter les chocs électriques, ne laissez jamais tomber ni n'insérez aucun objet dans une ouverture.
- Tenez le cordon d'alimentation à l'écart des surfaces chauffées. Ne transportez pas cet appareil en le tenant par son cordon d'alimentation et n'utilisez pas le cordon comme poignée.
- Débranchez toutes les sources d'alimentation avant de réparer ou de déplacer l'équipement. Pour nettoyer, frottez les surfaces avec du savon et un chiffon légèrement humide ; n'utilisez jamais de solvants. (Voir MAINTENANCE)
- N'utilisez pas d'autres accessoires non recommandés par le fabricant. Les accessoires peuvent causer des blessures.
- Ne l'utilisez pas lorsque des aérosols (sprays) sont utilisés ou lorsque de l'oxygène est administré.
- Utilisez l'elliptique uniquement comme décrit dans le guide de l'elliptique et le manuel de l'utilisateur.
- L'équipement doit être installé sur une base stable.



À aucun moment, les enfants de moins de 13 ans ne doivent s'approcher de l'elliptique à moins de 3 mètres. Les enfants de moins de 13 ans ne doivent à aucun moment utiliser l'elliptique. Les enfants de plus de 13 ans ou les personnes handicapées ne doivent pas utiliser l'elliptique sans la surveillance d'un adulte.



Il est essentiel que votre elliptique ne soit utilisé qu'à l'intérieur, dans une pièce climatisée. Si votre elliptique a été exposé à des températures plus froides ou à des climats très humides, il est fortement recommandé de réchauffer l'elliptique jusqu'à la température ambiante avant la première utilisation. Dans le cas contraire, cela peut entraîner une défaillance électronique prématurée.

INSTRUCTIONS DE LA MISE À LA TERRE

En cas de dysfonctionnement ou de panne, la mise à la terre fournit un chemin de moindre résistance au courant électrique afin de réduire le risque de choc électrique. Ce produit est équipé d'un cordon muni d'un conducteur de mise à la terre de l'équipement et d'une prise de terre. La fiche doit être branchée dans une prise appropriée qui est correctement installée et mise à la terre conformément à tous les codes et règlements locaux.

Une mauvaise connexion du conducteur de mise à la terre de l'équipement peut entraîner un risque de choc électrique. Consultez un électricien qualifié ou un réparateur si vous avez des doutes quant à la mise à la terre du produit. Ne modifiez pas la fiche fournie avec le produit. Si elle ne correspond pas à la prise, faites installer une prise adéquate par un électricien qualifié.

AVERTISSEMENT

Connectez ce produit d'exercice uniquement à une prise correctement mise à la terre.

N'utilisez jamais le produit avec un cordon ou une prise endommagé(e), même s'il fonctionne correctement. N'utilisez jamais le produit s'il semble endommagé ou s'il a été immergé dans l'eau. Contactez votre revendeur local pour un remplacement ou une réparation.

FONCTIONNEMENT DE BASE



FÉLICITATIONS POUR LE CHOIX DE VOTRE VÉLO ELLIPTIQUE !

Vous avez franchi une étape importante dans l'élaboration et le maintien d'un programme d'exercices ! Votre elliptique est un outil extrêmement efficace pour atteindre vos objectifs de fitness personnels. L'utilisation régulière de votre elliptique peut améliorer la qualité de votre vie à bien des égards.

Voici quelques-uns des bienfaits de l'exercice pour la santé :

- * Perte de poids
- Un cœur plus sain
- Une amélioration du tonus musculaire
- Une augmentation des niveaux d'énergie quotidiens

La clé pour profiter de ces avantages est de développer une habitude d'exercice. Votre nouvel elliptique vous aidera à éliminer les obstacles qui vous empêchent de faire de l'exercice. Les intempéries et l'obscurité n'interfèrent pas avec votre entraînement lorsque vous utilisez votre elliptique dans le confort de votre maison. Ce guide vous fournit des informations de base pour utiliser et profiter de votre nouvelle machine.



EMPLACEMENT DE L'ELLIPTIQUE

Placez l'elliptique sur une surface de niveau. Nous vous conseillons de prévoir un dégagement autour de votre vélo elliptique (voir guide). Ne placez pas l'elliptique dans un endroit où il serait susceptible de bloquer les ouvertures d'aération ou de ventilation.

PUISSANCE

Votre elliptique est alimenté par une alimentation électrique. L'alimentation doit être branchée dans la prise d'alimentation située à l'avant de la machine, près du tube stabilisateur. Certains elliptiques ont un interrupteur d'alimentation, situé à côté de la prise d'alimentation. Assurez-vous qu'il est bien EN position.

REMARQUE : Certains elliptiques ont un interrupteur MARCHE / ARRÊT situé derrière la console.

AVERTISSEMENT

N'utilisez jamais le produit si son cordon ou sa fiche est endommagé(e), s'il ne fonctionne pas correctement, s'il a été endommagé ou s'il a été immergé dans l'eau. Veuillez contacter notre centre de service pour une assistance technique, une réparation ou de nouvelles pièces.

POSITIONNEMENT DU PIED

Votre vélo elliptique offre une variété de positions de pied. Déplacer votre pied vers la position la plus en avant du cale-pied augmente la hauteur de votre pas, ce qui créera une sensation similaire à celle d'une machine de step. Placer votre pied vers l'arrière du cale-pied diminue la hauteur de votre pas et crée davantage une sensation de glisse, semblable à celle d'une marche ou d'une course en douceur. Assurez-vous toujours que tout votre pied est fixé sur le cale-pied.

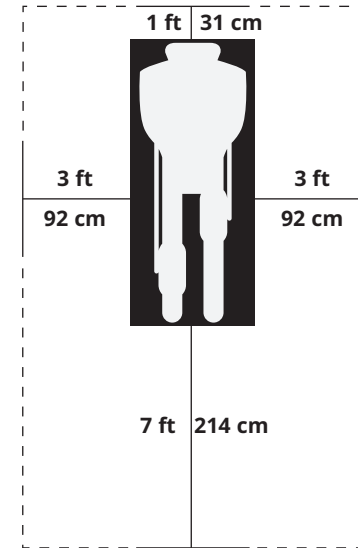
Votre vélo elliptique vous permet également de pédaler vers l'avant et vers l'arrière pour offrir une variation à votre entraînement et pour vous concentrer sur d'autres groupes musculaires importants des jambes tels que vos ischio-jambiers et vos mollets.

OPTIONS D'ENTRAÎNEMENT



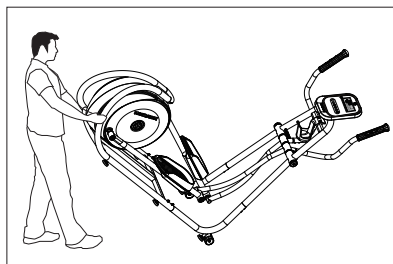
ENTRAÎNEMENT DE LA TOTALITÉ DU CORPS

Pour un entraînement de la totalité du corps, poussez et tirez en continu sur les bras à double action tout en pédalant.



MONTER SUR L'ÉLLIPTIQUE

1. Placez-vous sur le flanc de l'elliptique à côté de la pédale la plus basse.
2. Tout en tenant les deux guidons fixes, placez votre pied sur la pédale la plus basse et tirez-vous vers le haut pour monter sur l'elliptique.



DÉPLACEMENT DE L'ÉLLIPTIQUE

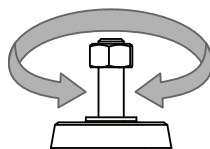
Votre elliptique est équipé d'une paire de roues de transport intégrées dans le tube stabilisateur avant. Pour le déplacer, retirez d'abord le bloc d'alimentation et saisissez fermement la partie en acier de la barre stabilisatrice arrière, inclinez-le et faites-le rouler avec précaution. REMARQUE : veillez à saisir la barre en acier et non le cache en plastique.

AVERTISSEMENT

Nos elliptiques sont lourds ; prenez des précautions et demandez de l'aide supplémentaire si nécessaire quand vous les déplacez. Le non-respect de ces instructions peut entraîner des blessures.

NIVELLEMENT DE L'ÉLLIPTIQUE

Votre elliptique doit être à niveau pour une utilisation optimale. Une fois que vous avez placé votre elliptique où vous souhaitez l'utiliser, soulevez ou abaissez un ou deux des pieds de nivellement réglables situés au bas du cadre. L'utilisation d'un niveau de menuisier est recommandée. Une fois que vous avez mis votre elliptique à niveau, verrouillez les niveleurs en place en serrant les écrous contre le cadre. *REMARQUE : Certains elliptiques n'ont pas de niveleurs.



RÉGLAGE HAUTEUR



UTILISATION DE LA FONCTION FRÉQUENCE CARDIAQUE (HEART RATE)

Votre vélo elliptique peut être équipé de poignées de pouls ou d'un capteur de pouls. Pour connaître les caractéristiques de votre modèle, reportez-vous au début de la section D'ASSEMBLAGE de votre MANUEL DU PROPRIÉTAIRE.

La fonction de fréquence cardiaque sur ce produit n'est pas un appareil médical. Bien que les poignées de fréquence cardiaque ou un capteur de pouls au pouce puissent fournir une estimation relative de votre fréquence cardiaque réelle, elles ne doivent pas être utilisées lorsque des mesures précises sont nécessaires. Certaines personnes, y compris celles qui suivent un programme de réadaptation cardiaque, peuvent tirer avantage de l'utilisation d'un autre système de surveillance de la fréquence cardiaque, comme une ventrale ou une dragonne. Divers facteurs, y compris le mouvement de l'utilisateur, peuvent affecter la précision de la lecture de votre fréquence cardiaque. La lecture de la fréquence cardiaque est uniquement destinée à servir d'aide durant l'exercice pour déterminer les tendances du rythme cardiaque en général. Veuillez consulter votre médecin.

CAPTEUR DE POULS

Placez les paumes de vos mains directement sur les poignées du cardio-fréquencemètre. Vous devez saisir les barres avec les deux mains pour que votre fréquence cardiaque soit enregistrée. Il faut 5 battements cardiaques consécutifs (15 à 20 secondes) pour que votre fréquence cardiaque soit enregistrée. Lorsque vous saisissez le capteur du pouls, ne le tenez pas trop fermement. Tenir fermement les poignées peut faire augmenter votre tension artérielle. Maintenez une prise détendue et relâchée. La lecture peut être erronée si vous tenez les poignées du cardio-fréquencemètre trop fermement. Assurez-vous de nettoyer les capteurs de pulsations pour vous assurer le maintien d'un contact correct.

CAUTION

N'appuyez pas trop fort sur le capteur car cela pourrait l'endommager.



GUIDON SUPÉRIEUR

CAPTEUR DE POULS

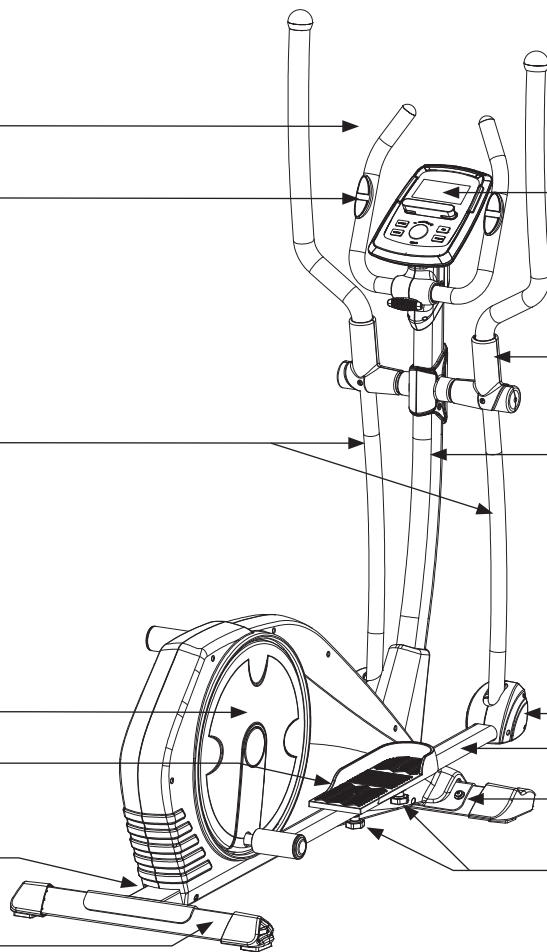
GUIDON INFÉRIEUR

COUVERCLE DE MANIVELLE

REPOSE-PIEDS

PRISE DE CORDON
D'ALIMENTATION

TUBE STABILISATEUR ARRIÈRE



CONSOLE

CACHE DE GUIDON SUPÉRIEUR

MÂT DE CONSOLE

ŒILLET DE MÂT DE CONSOLE

BRAS DE PÉDALE

TUBE STABILISATEUR AVANT

BOUTON DE RÉGLAGE DE PÉDALE

OUTILS INCLUS :

- Clé en L de 5mm
- Clé plate

PIÈCES INCLUSES DANS L'EMBALLAGE :

- 1 cadre principal
- 1 tube stabilisateur avant
- 1 tube stabilisateur arrière
- 1 console
- 1 mât de console
- 1 œillet de mât de console
- 2 guidons supérieurs
- 2 guidons inférieurs
- 2 CACHES DE GUIDON SUPÉRIEURS
- 2 pédales
- 2 bras de pédale
- 1 cordon d'alimentation
- 1 kit de matériel

PRÉ-ASSEMBLAGE

DÉBALLAGE

Déballiez le produit à l'endroit où vous allez l'utiliser. Placez le carton de l'elliptique sur une surface plane et de niveau. Il est recommandé de placer un revêtement de protection sur votre sol. N'ouvrez jamais la boîte lorsqu'elle est sur le côté.



AVERTISSEMENT

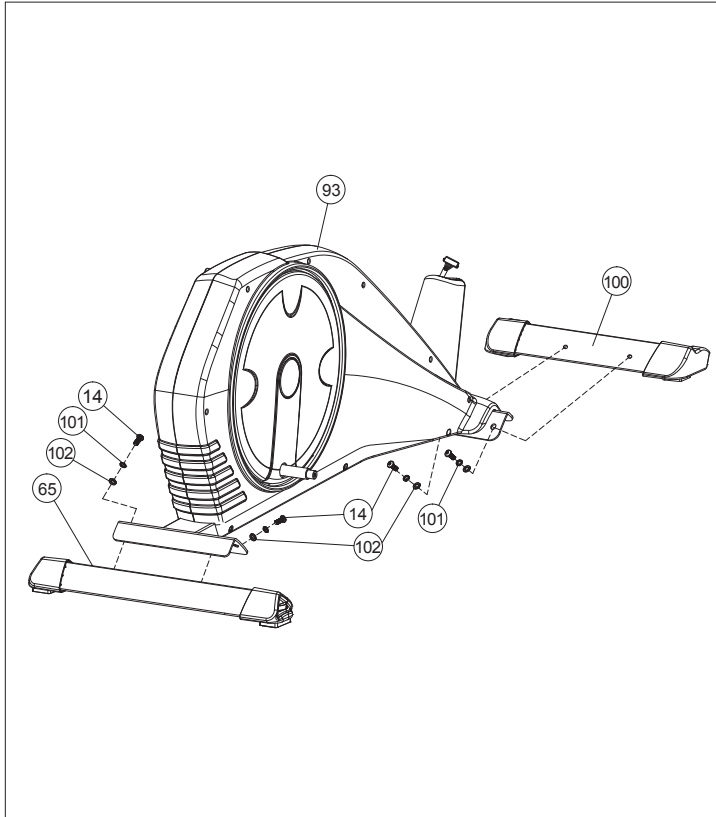
- Il est recommandé que deux personnes travaillent ensemble pour plus de facilité et d'efficacité lors de l'assemblage d'un vélo elliptique.
- Lors de chaque étape d'assemblage, assurez-vous que TOUS les écrous et boulons sont en place et partiellement filetés. Il est recommandé de terminer le montage complet de votre appareil avant de serrer complètement UN boulon.
- Plusieurs pièces ont été pré-lubrifiées pour faciliter l'assemblage et l'utilisation. Veuillez ne pas enlever la lubrification. Si vous avez des difficultés, une légère application de graisse au lithium pour vélo est recommandée.

BESOIN D'AIDE ?




Si vous avez des questions ou si des pièces sont manquantes, contactez l'assistance technique à la clientèle.



ASSEMBLAGE ÉTAPE 1

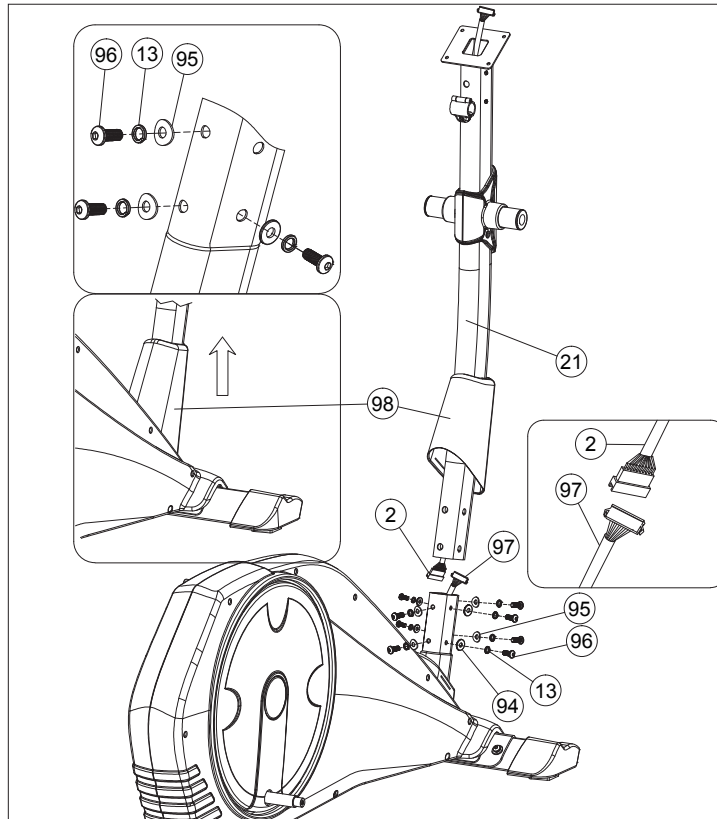


PIÈCES MATÉRIELLES :

- | | |
|--|--|
|  BOULON (14)
M8 X 20
QTÉ : 4 |  RONDELLE
ÉLASTIQUE (101)
Φ8
QTÉ : 4 |
|  RONDELLE PLATE (102)
Φ8 X Φ20 X 2.5T
QTÉ : 4 | |

- A Attachez le **TUBE STABILISATEUR ARRIÈRE** (65) au **CADRE PRINCIPAL** (93) à l'aide de 2 **BOULONS** (14) & **RONDELLES** (101 & 102).
- B Attachez le **TUBE STABILISATEUR AVANT** (100) au **CADRE PRINCIPAL** (93) à l'aide de 2 **BOULONS** (14) & **RONDELLES** (101 & 102).

ASSEMBLAGE ÉTAPE 2



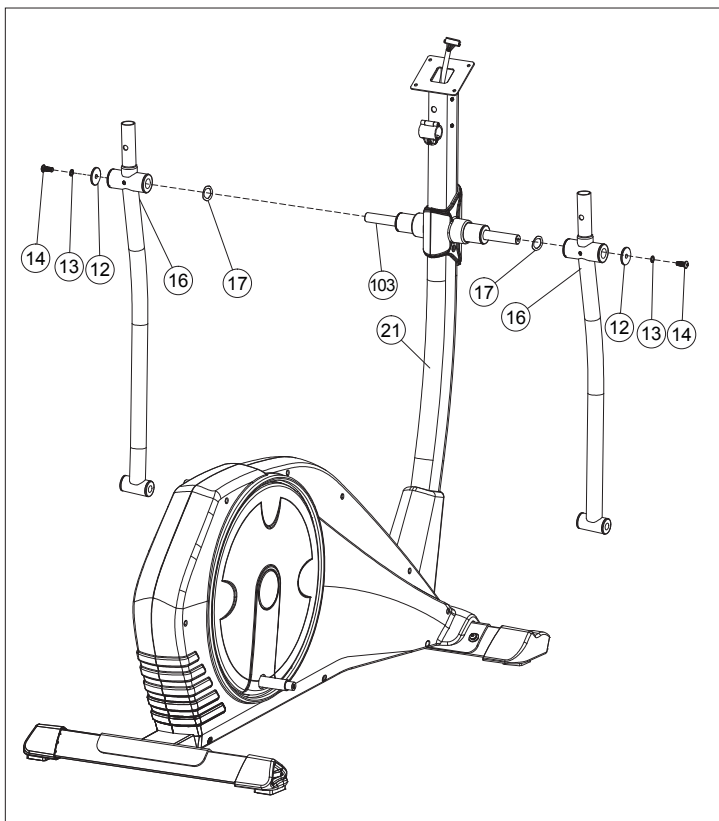
REMARQUE : Il n'y a aucun matériel pour cette étape.

- Faites glisser l'**CEILLET DE MÂT DE CONSOLE** (98) du bas vers le haut du **MÂT DE CONSOLE** (21).
- Attachez les **CÂBLES DE CONSOLE** (2 & 97) et rentrez soigneusement les câbles dans le **CADRE PRINCIPAL** (93).
- Glissez le **MÂT DE CONSOLE** (21) dans le **CADRE PRINCIPAL** (93) à l'aide de 4 **BOULONS PRÉINSTALLÉS** (96), 4 **RONDELLES EN ARC PRÉINSTALLÉES** (13), 4 **RONDELLES PLATES PRÉINSTALLÉES** (94) des côtés gauche et droit et 4 **BOULONS PRÉINSTALLÉS** (96), 4 **RONDELLES EN ARC PRÉINSTALLÉES** (13), 4 **RONDELLES EN ARC PRÉINSTALLÉES** (95) des côtés avant et arrière.

REMARQUE : Veillez à ne pas pincer de fil lors de l'assemblage du mât de console.



ASSEMBLAGE ÉTAPE 3

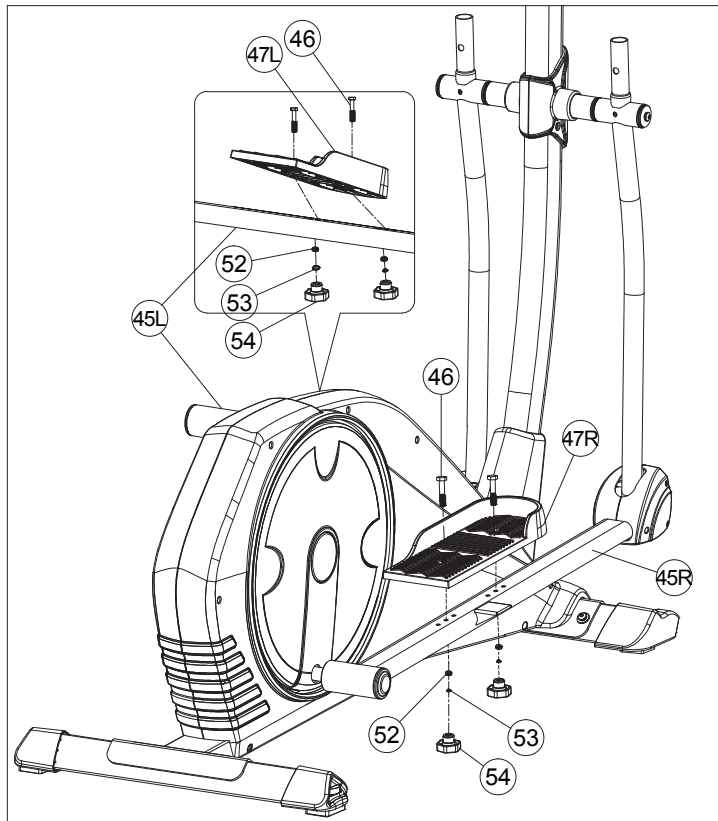


REMARQUE : Il n'y a aucun matériel pour cette étape.





- A Glissez l'**AXE** (103) à travers le **MÂT DE CONSOLE** (21) avec précaution.
- B Attachez le **GUIDON INFÉRIEUR** (16) au **MÂT DE CONSOLE** (21) à l'aide d'1 **BOULON PRÉINSTALLÉ** (14), 1 **RONDELLE PLATE PRÉINSTALLÉE** (12), 1 **RONDELLE EN ARC PRÉINSTALLÉE** (13) et 1 **RONDELLE ONDULÉE PRÉINSTALLÉE** (17) .
- C Répétez les étapes B sur le côté opposé.



ASSEMBLAGE ÉTAPE 5

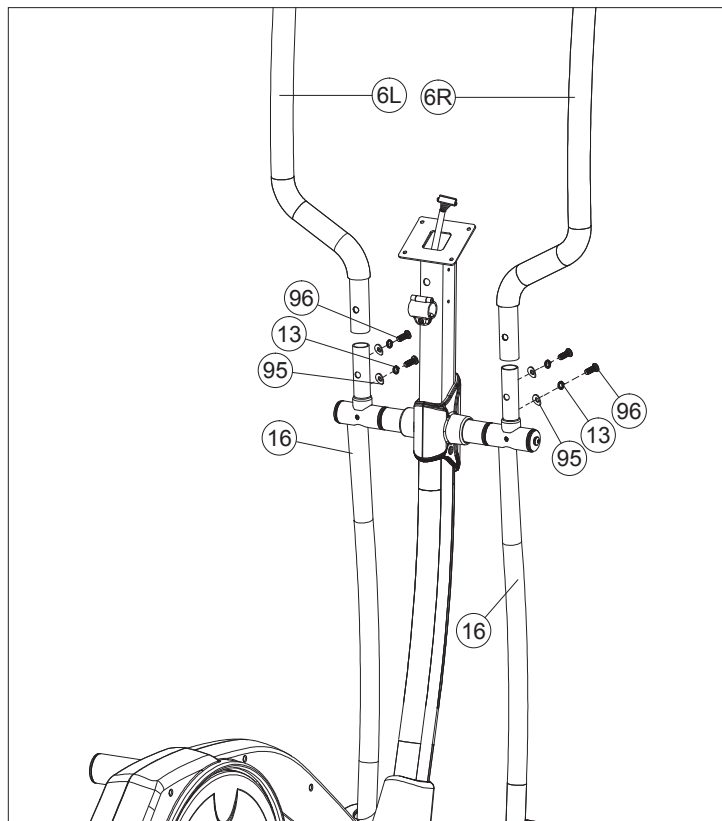


PIÈCES MATÉRIELLES :




	BOULON (46) M8 X 50 QTÉ : 4		BOUTON DE PÉDALE (54) M8 QTÉ : 4
	RONDELLE ÉLASTIQUE (53) Φ8 QTÉ : 4		RONDELLE PLATE (52) Φ8,5 X Φ16 X 2T QTÉ : 4

- A Fixez la **PÉDALE** (47R) au **BRAS DE PÉDALE** (45R) à l'aide de 2 **BOULONS** (46), 2 **RONDELLES PLATES** (52), 2 **RONDELLES ÉLASTIQUES** (53) et 2 **BOUTONS DE PÉDALE** (54).

ASSEMBLAGE ÉTAPE 6



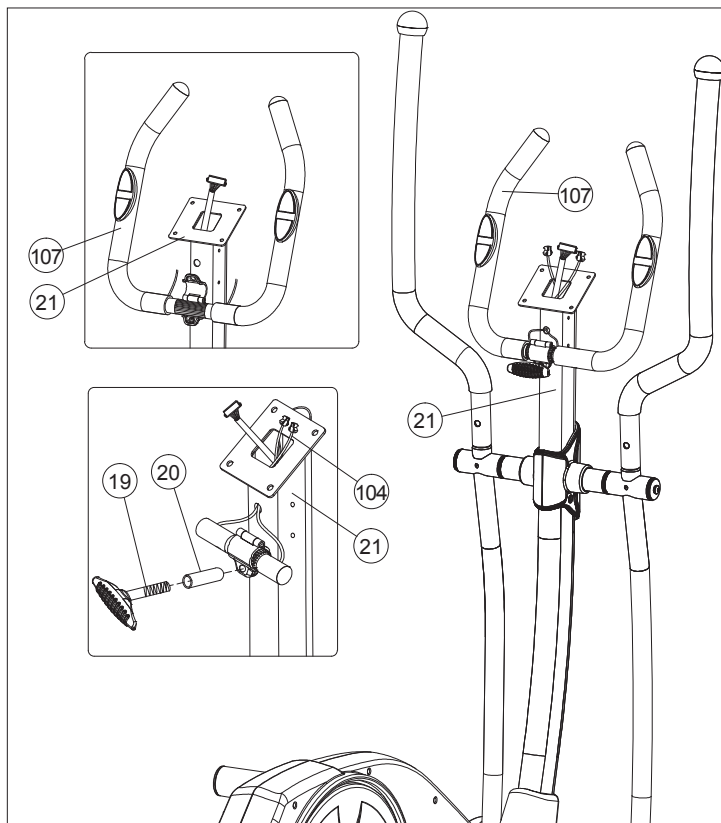
PIÈCES MATÉRIELLES :

	BOULON (96) M8 X 20 QTÉ : 4		RONDELLE EN ARC (95) Φ8 X Φ19 X 1.5T QTÉ : 4
	RONDELLE ÉLASTIQUE (13) Φ8 QTÉ : 4		

- A Glissez le **GUIDON SUPÉRIEUR (6R)** sur le **GUIDON INFÉRIEUR (16)** et fixez-le à l'aide de 2 **BOULONS (96)**, 2 **RONDELLES EN ARC (95)** et 2 **RONDELLES ÉLASTIQUES (13)**.
- B Répétez A de l'autre côté.



ASSEMBLAGE ÉTAPE 6

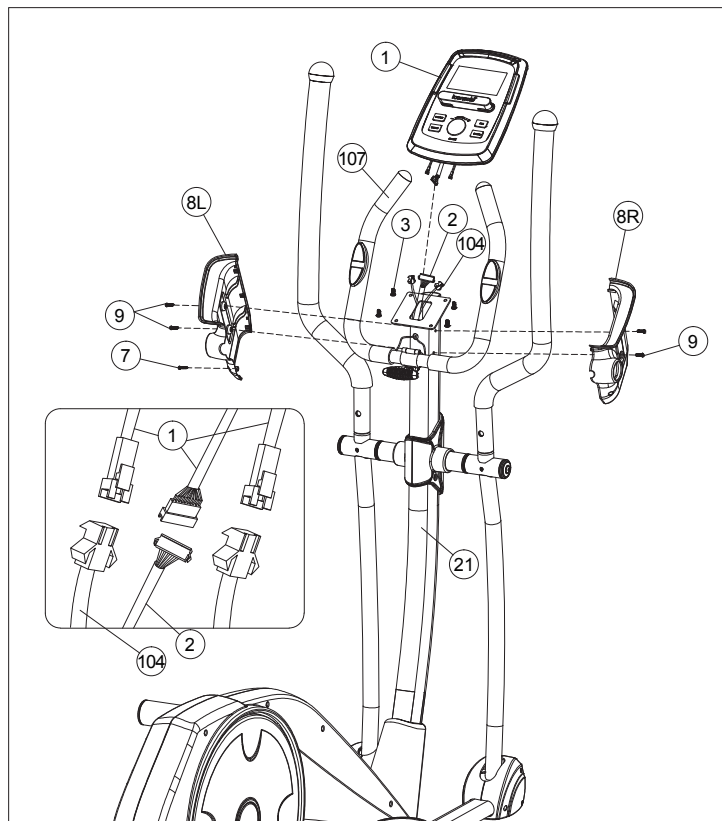


PIÈCES MATÉRIELLES :


	BAGUE (20) Φ8 X Φ13 X 35 QTÉ : 1		BOUTON EN T (19) M8 X 64 X 32 QTÉ : 1
--	--	--	---

- A Faites passer les **FILS DE GUIDON** (104) à travers le trou du **MÂT DE CONSOLE**(21) et sortez-les par le haut du **MÂT DE CONSOLE** (21).
- B Fixez le **GUIDON** (107) au **MÂT DE CONSOLE** (21) à l'aide d'1 **BAGUE** (20) et d'1 **BOUTON EN T** (19).

ASSEMBLAGE ÉTAPE 8



PIÈCES MATÉRIELLES :

 BOULON (7)
M4 X 15
QTÉ : 1

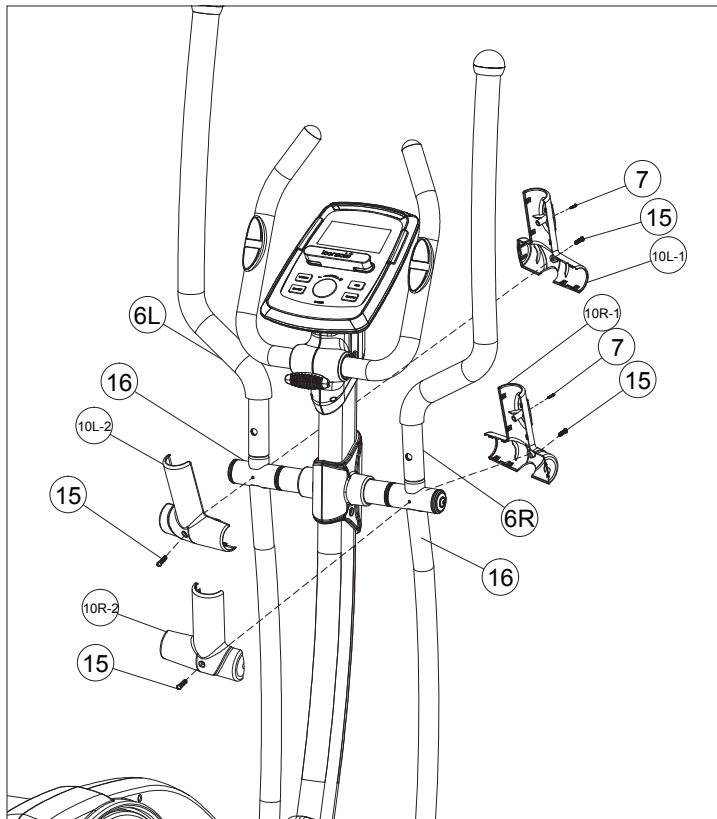
- A Connectez les **CÂBLES DE CONSOLE** (1 & 2 & 104) et rentrez soigneusement les **CÂBLES DE CONSOLE** (1 & 2 & 104) dans le **MÂT DE CONSOLE** (21).
- B Fixez la **CONSOLE** (1) au **MÂT DE CONSOLE** (21) à l'aide de 4 **BOULONS PRÉ-INSTALLÉS** (3).
- C Fixez les **COUVERCLES DE MÂT DE CONSOLE GAUCHE ET DROIT** (8R & 8L) au **MÂT DE CONSOLE** (21) à l'aide de 4 **BOULONS PRÉINSTALLÉS** (9) et d'1 **BOULON** (7).

REMARQUE : Veillez à ne pas pincer de fil lors de la fixation de la console.





ASSEMBLAGE ÉTAPE 9

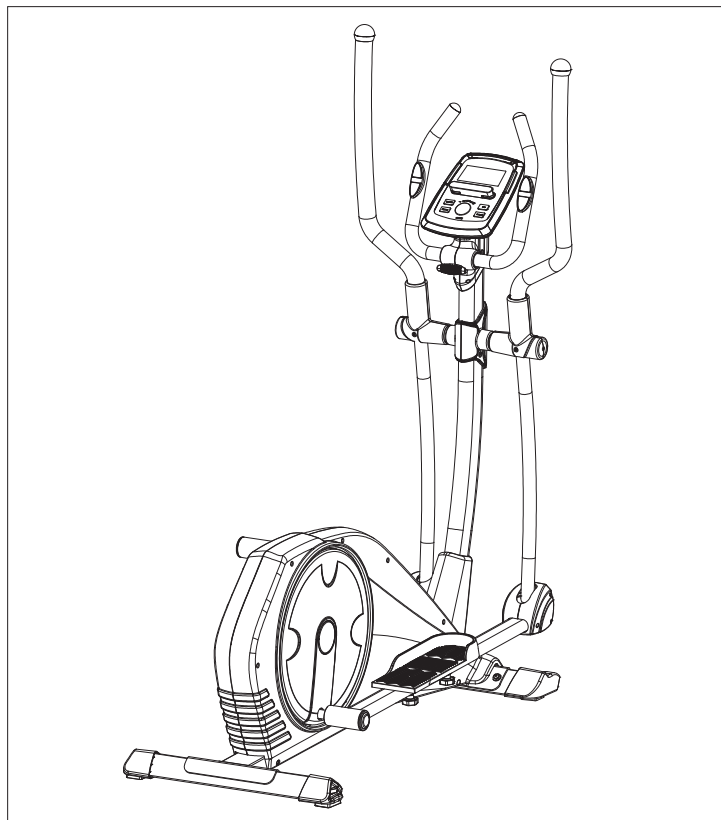


PIÈCES MATÉRIELLES :

	BOULON (7) M4 X 15 QTÉ : 2		BOULON (15) M5 X 12 QTÉ : 4
---	----------------------------------	---	-----------------------------------

- A Fixez les **CACHES DE GUIDON** (10R-1 & 10R-2) du côté avant à l'aide d'1 **BOULON PRÉINSTALLÉ** (15) et 1 **BOULON** (7) et du côté arrière à l'aide d'1 **BOULON PRÉINSTALLÉ** (15).
- B Répétez A de l'autre côté.

ASSEMBLAGE ÉTAPE 10



L'ASSEMBLAGE EST TERMINÉ !



SYROS 2.0

Poids d'utilisateur max. : 150 kg / 330 lbs.

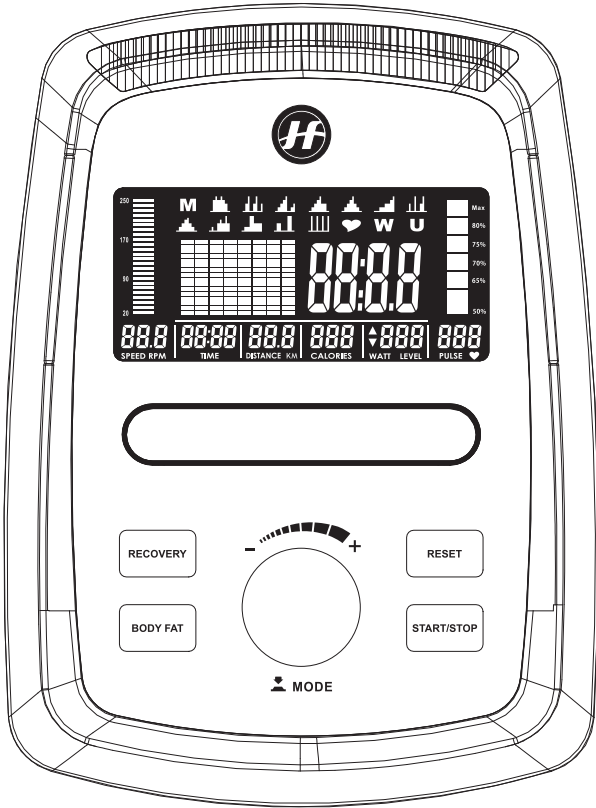
Dimensions hors-tout : 153 x 63 x 163 cm / 60.2" x 24.8" x 64.2"

FONCTIONNEMENT DE L'ELLIPTIQUE



Cette section explique comment utiliser la console et la programmation de votre elliptique.
Pour le FONCTIONNEMENT DE BASE, veuillez consulter le GUIDE DE L'ELLIPTIQUE.

AFFICHAGE DE LA CONSOLE SYROS 2.0



FONCTIONNEMENT DE LA CONSOLE SYROS 2.0

A) ROUE INTELLIGENTE

Tournez pour sélectionner les programmes, configurer le niveau de résistance et les nombres d'entraînement. Appuyez sur pour confirmer.

B) TOUCHE DE RÉINITIALISATION

Appuyez et maintenez pendant 2 secondes pour réinitialiser la console.

C) TOUCHE START / STOP

Commencez ou arrêtez l'entraînement.

D) TOUCHE DE RÉCUPÉRATION

Testez le statut de récupération de la fréquence cardiaque.

E) TOUCHE DE GRAISSE CORPORELLE

Testez le % de graisse corporelle et l'IMC.

F) RACK

Pour tenir votre téléphone ou votre tablette.

G) AFFICHAGE LCD

Vitesse, tr / min, temps, distance, calories, watt, fréquence cardiaque.



FONCTIONNEMENT DE LA CONSOLE SYROS 2.0



CONFIGURATION DE VOS DONNÉES PERSONNELLES

Tournez le lecteur intelligent pour sélectionner U1 ~ U4, le SEXE, l'ÂGE, la HAUTEUR, le POIDS définis et appuyez sur ce lecteur pour confirmer.

COMMENCEZ VOTRE ENTRAÎNEMENT

Tournez le lecteur intelligent pour sélectionner l'entraînement.



M MANUEL

Utilisez le lecteur intelligent pour sélectionner le programme dans le menu principal et appuyez pour confirmer. Appuyez sur la touche START / STOP pour démarrer l'entraînement.

PROGRAMME PRÉRÉGLÉ



Il existe 12 programmes prédéfinis ; utilisez le lecteur intelligent pour sélectionner dans le menu principal et appuyez pour confirmer. Appuyez sur la touche START / STOP pour démarrer l'entraînement.

♥ HRC

Utilisez le lecteur intelligent pour sélectionner le programme dans le menu principal et appuyez pour entrer. Sélectionnez 55%, 75%, 90% ou TAG (target heart rate : fréquence cardiaque cible, 100%). Appuyez sur la touche START / STOP pour démarrer l'entraînement.

W WATT

Utilisez le lecteur intelligent pour sélectionner le programme dans le menu principal et appuyez pour entrer. Configurez la cible WATT et le temps. Appuyez sur la touche START / STOP pour démarrer l'entraînement.

U PROGRAMME UTILISATEUR

Utilisez le lecteur intelligent pour sélectionner le programme dans le menu principal et appuyez pour entrer. Créez des séances d'entraînement et des temps d'entraînement personnalisés. Appuyez sur la touche START / STOP pour démarrer l'entraînement.

RÉCUPÉRATION

Après vous être entraîné pendant une période, continuez à tenir les poignées ou à porter la sangle de fréquence cardiaque et appuyez sur le bouton RECOVERY (récupération). L'affichage de toutes les fonctions s'arrête sauf le temps qui décompte de 60 à 0 seconde(s). L'écran affiche alors l'état de récupération de la fréquence cardiaque de F1, F2... à F6. F1 est le meilleur état de récupération.

GRAISSE CORPORELLE

En mode STOP, appuyez sur le bouton BODY FAT (graisse corporelle) pour démarrer la mesure. La console affiche la base U1 ou U2 ou U3 ou U4 sur un profil utilisateur différent et commence à mesurer. L'écran LCD affiche l'IMC, le % de graisse et le symbole de conseil sur la graisse corporelle après la mesure.

- * Il est nécessaire de tenir la poignée des deux mains pendant la mesure des données
- * Il faut 8 secondes pour obtenir les résultats

ÉCONOMIE D'ÉNERGIE

Sans pédalage ou si aucune fréquence cardiaque n'a été reçue, 4 minutes plus tard, la console entre dans le modèle d'économie d'énergie. Appuyez sur n'importe quelle touche pour réveiller la console.



SURVEILLANCE DE VOTRE FRÉQUENCE CARDIAQUE



FEEDBACK

Votre vélo elliptique Horizon Fitness offre deux options de feedback de fréquence cardiaque. Vous pouvez choisir d'utiliser le guidon de fréquence cardiaque ou l'émetteur thoracique (vendu séparément) pour un entraînement mains libres.

POIGNÉES DE FRÉQUENCE CARDIAQUE

Placez la paume de vos mains directement sur les poignées de fréquence cardiaque. Vous devez saisir les barres avec les deux mains pour que votre fréquence cardiaque soit enregistrée. Lorsque vous saisissez le guidon, ne le tenez pas trop fermement. Tenir fermement les poignées peut faire augmenter votre tension artérielle. Essayez de maintenir une pression modérée en tenant la barre du rythme cardiaque. Il est recommandé de ne tenir le guidon que le temps nécessaire pour voir la lecture de votre fréquence cardiaque sur la console. La lecture peut être erronée si vous tenez les poignées trop fermement.

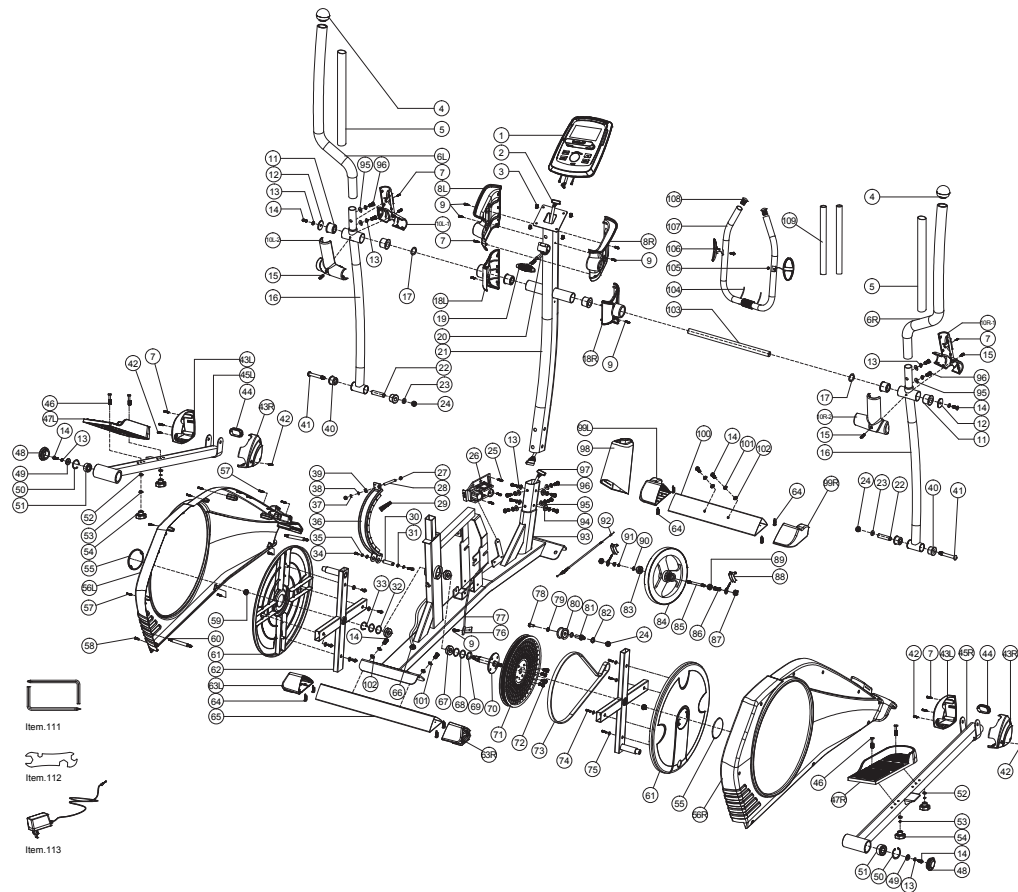
ÉMETTEUR THORACIQUE TÉLÉMÉTRIQUE (VENDU SÉPARÉMENT)

Avant de porter l'émetteur thoracique sur votre poitrine, humidifiez les deux électrodes en caoutchouc avec de l'eau. Centrez la sangle thoracique juste en dessous de la poitrine ou des muscles pectoraux, directement sur votre sternum, avec le logo orienté vers l'extérieur. REMARQUE : La sangle thoracique doit être serrée et correctement placée pour recevoir une lecture précise et cohérente. Si la sangle de poitrine est trop lâche ou mal positionnée, vous pourriez recevoir un affichage de la fréquence cardiaque irrégulier ou incohérent. Si vous rencontrez des problèmes avec la fonction de fréquence cardiaque, reportez-vous aux pages 10, 11 et 24 du guide de l'elliptique.

AVERTISSEMENT !

La fonction de fréquence cardiaque n'est pas un appareil médical. Divers facteurs peuvent affecter la précision de la lecture de votre fréquence cardiaque. La lecture de la fréquence cardiaque est uniquement destinée à servir d'aide durant l'exercice.

VUE ÉCLATÉE SYROS 2.0



LISTE DES PIÈCES SYROS 2.0

N°	DESCRIPTION	QTÉ
1	ORDINATEUR	1
2	CABLE D'ORDINATEUR SUPERIEUR	1
3	VIS M5X10MM	4
4	EMBOUT D'EXTRÉMITÉ	2
5	MOUSSE DE GUIDON SUPÉRIEUR	2
6L	GUIDON SUPÉRIEUR GAUCHE	1
6R	GUIDON SUPÉRIEUR DROIT	1
7	VIS AUTOTARAUDEUSE	7
8L	COUVERCLE EN PLASTIQUE POUR ORDINATEUR GAUCHE	1
8R	COUVERCLE EN PLASTIQUE POUR ORDINATEUR DROIT	1
9	VIS M5X12MM	7
10L-1	COUVERCLE PLASTIQUE GAUCHE AVANT	1
10L-2	COUVERCLE PLASTIQUE GAUCHE ARRIÈRE	1
10R-1	COUVERCLE PLASTIQUE DROIT AVANT	1
10R-2	COUVERCLE PLASTIQUE DROIT ARRIÈRE	1
11	BAGUE	6
12	RONDELLE PLATE	2
13	RONDELLE COURBÉE	16
14	BOULON ALLEN	8
15	VIS	4
16	TUBE DE CONNEXION INFÉRIEUR	2
17	RONDELLE COURBÉE	2
18L	COUVERCLE PLASTIQUE AVANT	1
18R	COUVERCLE PLASTIQUE ARRIÈRE	1
19	BOUTON EN FORME DE T	1

N°	DESCRIPTION	QTÉ
20	TUBE	1
21	MÂT DE CONSOLE	1
22	TUBE	2
23	RONDELLE PLATE	2
24	ÉCROU M10	3
25	VIS M5X15MM	3
26	MOTEUR	1
27	ÉCROU M6	2
28	GOUJON	1
29	RESSORT CONIQUE	1
30	ESSIEU DE JEU DE ROULEAU TENDEUR	1
31	RONDELLE PLATE	2
32	RONDELLE PLATE	2
33	RONDELLE EN FORME DE C	1
34	BOULON HEXAGONAL	2
35	RONDELLE ÉLASTIQUE	2
36	ENSEMBLE D'AIMANTS	1
37	RONDELLE EN PLASTIQUE	1
38	RONDELLE PLATE	1
39	ÉCROU HEXAGONAL	1
40	BAGUE	4
41	BOULON ALLEN	2
42	VIS	4
43L	CACHE DE REPOSE-PIEDS GAUCHE	2
43R	CACHE DE REPOSE-PIEDS DROIT	2

N°	DESCRIPTION	QTÉ
44	EMBOUT D'EXTRÉMITÉ	2
45L	BARRE DE PÉDALE GAUCHE	1
45R	BARRE DE PÉDALE DROITE	1
46	BOULON ALLEN	4
47L	REPOSE-PIEDS GAUCHE	1
47R	REPOSE-PIEDS DROIT	1
48	EMBOUT D'EXTRÉMITÉ	2
49	RONDELLE PLATE	2
50	RONDELLE EN FORME DE C	2
51	ROULEMENT	2
52	RONDELLE PLATE	4
53	RONDELLE ÉLASTIQUE	4
54	BOUTON HEXAGONAL	4
55	DÉCORATION POUR COUVERCLE ROND	2
56L	CACHE DE CHAÎNE GAUCHE	1
56R	CACHE DE CHAÎNE DROIT	1
57	VIS AUTOTARAUDEUSE	6
58	VIS	6
59	ÉCROU À COLLERETTE	2
60	TUBE DE CONNEXION	2
61	COUVERCLE ROND	2
62	MANIVELLE	2
63L	EMBOUT ARRIÈRE GAUCHE	1
63R	EMBOUT ARRIÈRE DROIT	1
64	VIS AUTOTARAUDEUSE	8

N°	DESCRIPTION	QTÉ
65	BARRE STABILISATRICE ARRIÈRE	1
66	CÂBLE CC	1
67	ROULEMENT	2
68	RONDELLE PLATE	2
69	RONDELLE COURBÉE	1
70	ESSIEU DE PÉDALE	1
71	ROUE DE COURROIE	1
72	BOULON ALLEN	4
73	COURROIE	1
74	VIS AUTOTARAUDEUSE	8
75	RONDELLE PLATE	8
76	CAPTEUR	1
77	CÂBLE DE CAPTEUR	1
78	BOULON ALLEN	1
79	RONDELLE PLATE	1
80	ROULEAU TENDEUR	1
81	ESSIEU POUR ROULEAU TENDEUR	1
82	RONDELLE PLATE	1
83	ROULEMENT	1
84	VOLANT	1
85	ESSIEU DE VOLANT	1
86	ÉCROU HEXAGONAL	2
87	ÉCROU À COLLERETTE	2
88	ENSEMBLE RÉGLABLE DE COURROIE	2
89	ROULEMENT	1

LISTE DES PIÈCES SYROS 2.0

N°	DESCRIPTION	QTÉ
90	RONDELLE COURBÉE	3
91	RONDELLE EN FORME DE C	2
92	CÂBLE	1
93	CADRE	1
94	RONDELLE PLATE	4
95	RONDELLE COURBÉE	8
96	BOULON ALLEN	12
97	CÂBLE D'ORDINATEUR INFÉRIEUR	1
98	CACHE PLASTIQUE DU MONTANT PRINCIPAL	1
99L	EMBOUT AVANT GAUCHE	1
99R	EMBOUT AVANT DROIT	1
100	BARRE STABILISATRICE AVANT	1□
101	RONDELLE ÉLASTIQUE	4
102	RONDELLE PLATE	4
103	TIGE DE ROTATION	1
104	CÂBLE DE PULSATION SUR POIGNÉE	2
105	VIS AUTOTARAUDEUSE	2
106	COUSSINET DE PULSATION SUR POIGNÉE	2
107	CLÉ	1
108	EMBOUT D'EXTRÉMITÉ	2
109	FORME DE GUIDON	2
111	CLÉ ALLEN	2
112	CLÉ COMBINÉE	1
113	ADAPTATEUR	1

EN : Waste Disposal

VISION Fitness / HORIZON Fitness / TEMPO Fitness / TREO Fitness products are recyclable. At the end of its useful life please dispose of this article correctly and safely (local refuse sites).

DE : Entsorgungshinweis

Die Produkte VISION Fitness/HORIZON Fitness/TEMPO Fitness/TREO Fitness sind recycelbar. Führen Sie das Gerät am Ende der Nutzungsdauer einer sachgerechten Entsorgung zu (örtliche Sammelstelle).

NL : Verwijderingsaanwijzing

VISION Fitness / HORIZON Fitness / TEMPO Fitness / TREO Fitness producten zijn recyclebaar. Breng het apparaat aan het einde van de gebruiksduur naar een in recycling gespecialiseerd bedrijf (plaatselijk verzamelpunt).

FR : Remarque relative à la gestion des déchets

Les produits VISION Fitness / HORIZON Fitness / TEMPO Fitness / TREO Fitness sont recyclables. Lorsque cet appareil arrive en fin de vie, veuillez l'éliminer de manière correcte et en toute sécurité en le déposant dans une déchetterie communale.

IT : Indicazione sullo smaltimento

I prodotti VISION Fitness / HORIZON Fitness / TEMPO Fitness / TREO Fitness sono riciclabili. Quando l'apparecchio non servirà più, portarlo in un apposito punto di raccolta della propria città (punti di raccolta comunali).

ES : Gestión de residuos

Los productos de VISION Fitness / HORIZON Fitness / TEMPO Fitness / TREO Fitness son reciclables. Cuando se termine su vida útil, por favor deshágase de este artículo de forma correcta y segura en un punto limpio.

PT (Br) : Descarte

Os produtos VISION Fitness / HORIZON Fitness / TEMPO Fitness / TREO Fitness são recicláveis. No final de sua vida útil, descarte este equipamento corretamente e com segurança (sites de locais de lixo).

ZH trad : 廢棄物處理

VISION Fitness / HORIZON Fitness / TEMPO Fitness / TREO Fitness 產品為可回收產品。產品的使用年限期滿後，請依照正確且安全的方式處理本廢棄商品（當地的廢棄場）。

ZH simp. : 废弃物处理

VISION Fitness / HORIZON Fitness / TEMPO Fitness / TREO Fitness 产品是可回收利用的。在其使用期结束后，请正确安全地（在本地垃圾处理场）处理本品。

